

& EXTRALOK™

ZIPPED-EDGE BLIND SYSTEM



&EXTRALOK™

ZIPPED-EDGE BLIND SYSTEM

In addition to all the advantages of the popular KuroLok blind system, ExtraLok has been specifically designed to withstand damp and corrosive environments.

OVERVIEW

- Independently tested to Corrosion Class C4
- 3 year warranty
- Zipped-edge fabric retention
- Sizes up to 4m wide, 6m drop, 24m2



SYSTEM DETAILS

ExtraLok has all the features of KuroLok: extruded aluminium headbox and slim side channels. The blind fabric is locked into the side channels using zip technology. The aluminium profiles are powder coated in white or black as standard, or any other RAL colour to order.

In addition, stainless steel fixings and advanced coating technology have been utilised to ensure high corrosion resistance. This has been independently tested to achieve 'good to excellent performance' in an indoor Corrosion Class C4 (High) environment – e.g. swimming pools.

USES & APPLICATIONS

ExtraLok has been specifically designed to provide shading and privacy in damp or corrosive environments, such as swimming pools. Large areas of glazing are not a challenge for this system.

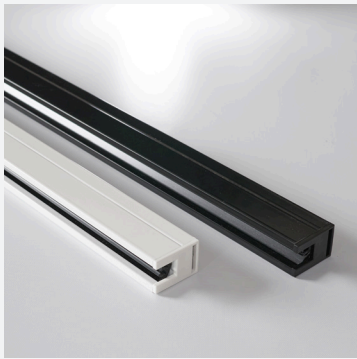
Zipped-edge fabric retention ensures the blind fabric remains locked into the side channels, creating a secure and maintenance-free blind. The fabric being fully retained down both sides also allows for blinds to be installed at up to 30° off the vertical and still function perfectly. A tensioned rooflight version is also available, which can operate at any angle between 0° and 90°.

Using the same controls as our Helios system, ExtraLok can be operated via IP-rated 230V motors, with low voltage or battery powered options also available. Manual operation is achieved via gear and crank handle.



SLEEK & DURABLE





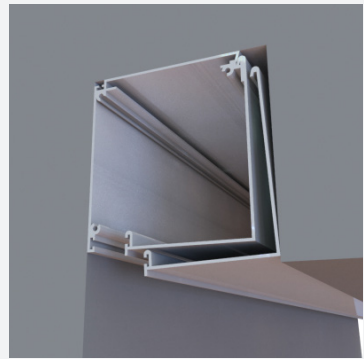
SIDE CHANNELS WITH FABRIC ZIP

- Standard 35mm wide channel
- Zipped edge fabric retention
- Wider 56mm channel also available
- Available in RAL 9016 White and RAL 9005 Black as standard.



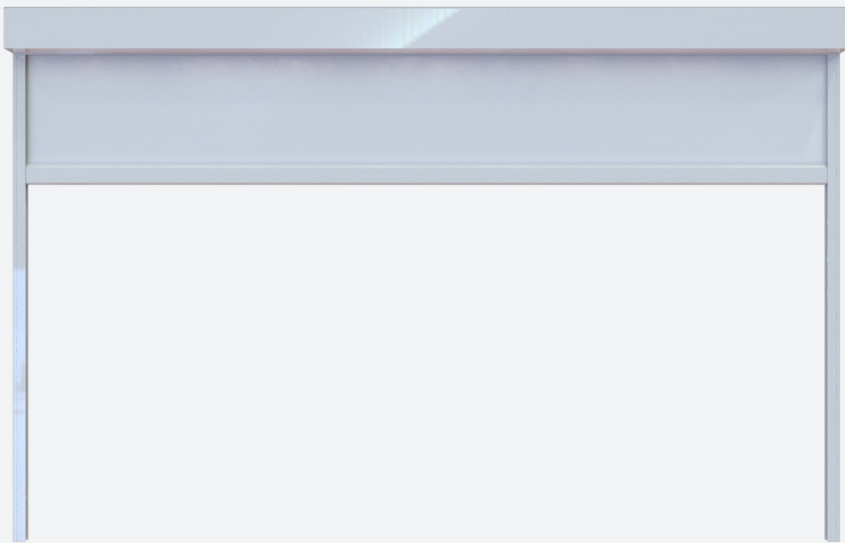
HEADBOX TO SUIT BLIND SIZE

- 100mm (H) X 92.5mm (D) or 125mm (H) x 117.5mm (D)
- Connects to side channels with sturdy steel legs
- Strong 'Goalpost' frame for fast install

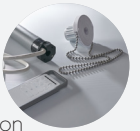


FASCIA REMOVABLE WITHIN 100MM OR 125MM

- Enables fitting within slim recess
- Ideal for install within ceiling pocket
- Blinds can be accessed for maintenance



CONTROL OPTIONS



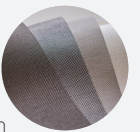
- Crank-handle with reduction gear
- 240V motorised
- Low voltage or battery motorised

MOTORISATION CONTROLS



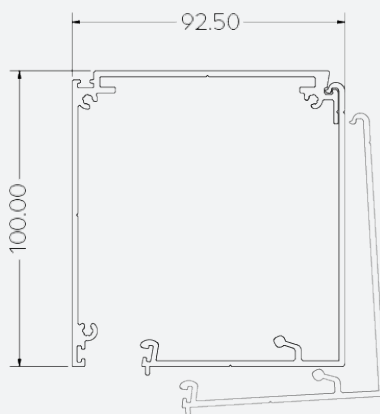
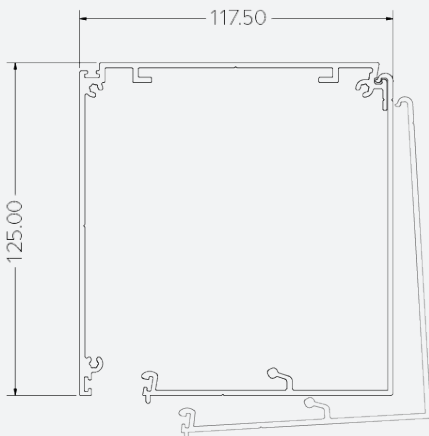
- Hardwired Switch
- Radio remote control
- Digital and IP communication
- Integration and control systems

FABRIC OPTIONS

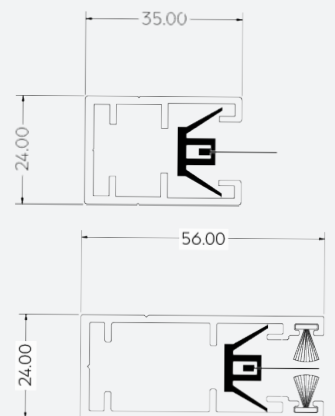


- Blackout fabrics for room darkening
- Dimout fabrics for light filtering and privacy
- Sunscreen fabrics for glare control with views out

EXTRALOK HEADBOX DIMENSIONS



FABRIC RETENTION SIDE CHANNELS



UMBRA®YOU

SELECT YOUR SYSTEM

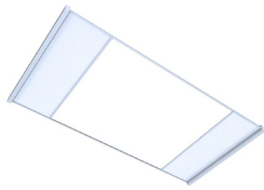
See Systems Overview brochure for more information

ROOFLIGHT SYSTEMS

BLACKOUT SYSTEMS →

SQUARE AREA

18m²



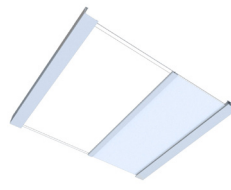
& KUROLOK™
TWIN RL

9m²



& KUROLOK™
RL

4m²



& HELIOS™
RL

24m²



& KUROLOK™

BLACKOUT SYSTEMS

ROLLER SHADES →

14m²



& KURO™

LARGE

16m²



& HELIOS™

MEDIUM

6m²



& SIRIOS™

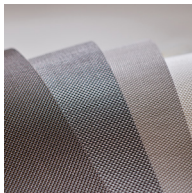
SMALL

3m²



& ORBIS™

SELECT YOUR FABRIC



VIEW OUR RANGE
OF FABRICS ONLINE

www.umbrashading.co.uk/products-services/blind-fabrics

FIND OUT MORE

FOR MORE SYSTEM INFO AND AUTOMATION
OPTIONS VISIT

www.umbrashading.co.uk/tools/product-selector-guide

UMBRA®

In line with our policy of continuous product development, we reserve the right to alter specifications without notice.

01792 562015

sales@umbrashading.co.uk

www.umbrashading.co.uk