

UMBRA®

Fitting Instructions

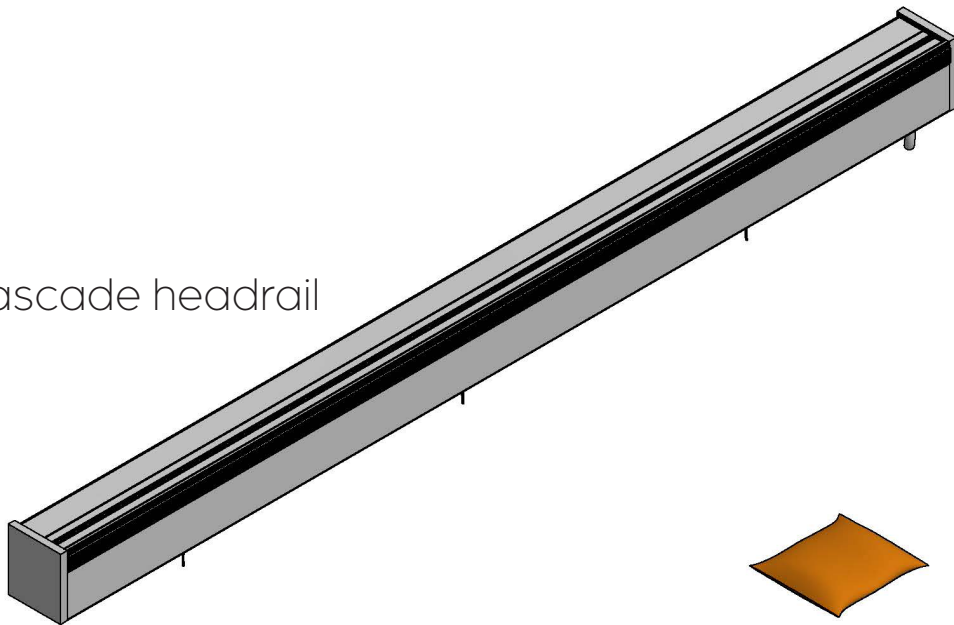
Cascade

Motorised roman blind headrail

Thank you for choosing Cascade

Please unpack the delivery and check you have:

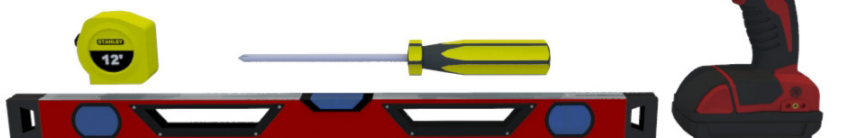
1x Cascade headrail



1x orange bag containing components

Tools you will need

Fixings to suit the substrate you are fixing to



STEP 1

Attach your fabric to the Cascade headrail

The Cascade system is a motorised headrail only. You will need to supply your own fabric cover & fix to the headrail. To do this, unwrap the cords from the headrail, fix to your fabric & cut off any extra cord. If necessary, you can move the position of the spools within the headrail to line up with your fabric.

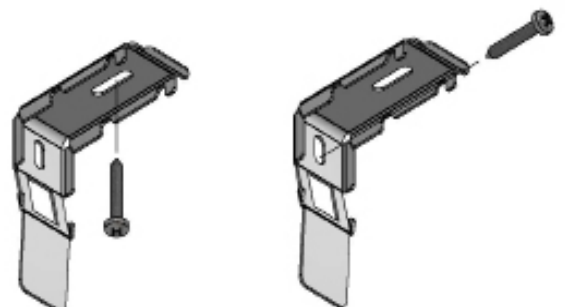
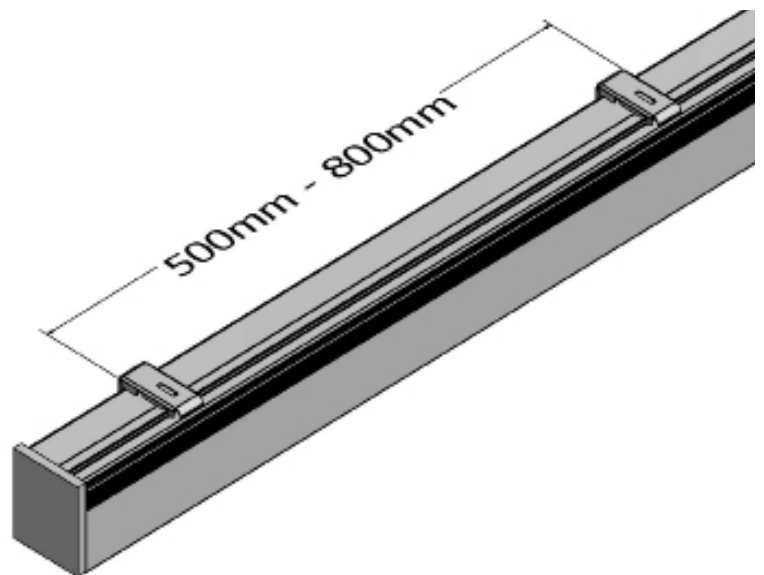
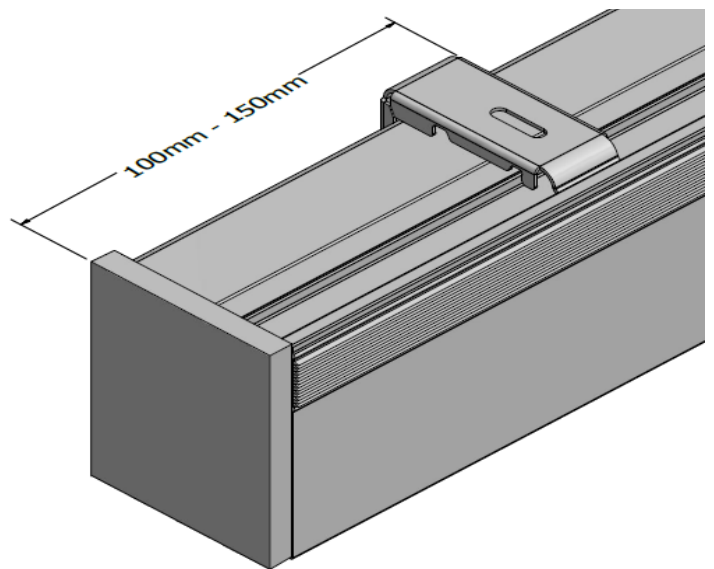
STEP 2

Fix your brackets in place

Fix your brackets at a spacing of 500mm - 800mm apart, and 100mm - 150mm from each end of the headrail.

Your brackets must be fixed perfectly level to ensure that all brackets are properly engaged with the headrail.

For face fixing, screw through the slot at the back of the bracket, and for top fixing, screw the slot at the top.

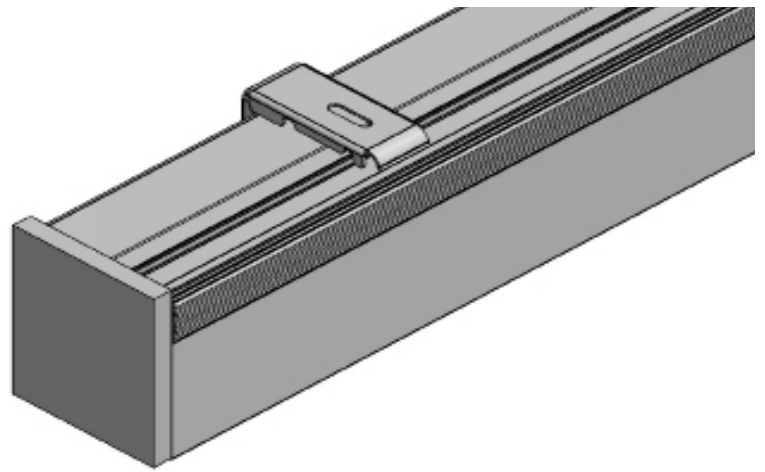
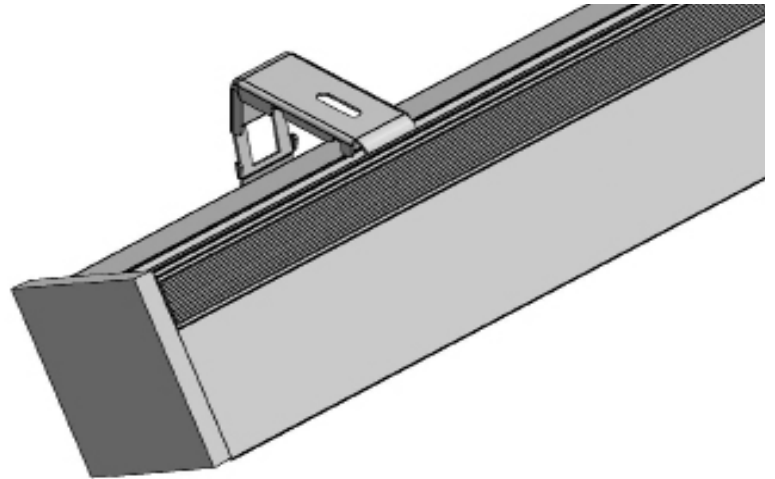


STEP 3

Fix headrail to the brackets

Hook the groove in the front of the headrail onto the lip on the front of the brackets. Ensure that every bracket is hooked inside the track.

Push the headrail up and back until the groove on the back of the headrail clicks into place in the brackets. Ensure that each bracket is fully engaged.



STEP 4

Motor commissioning

You will have received a motor set-up card with your headrail for the motor you are using. Scan the QR code on this card to view the setup video or PDF instructions for your motor. Alternatively, you can scan this QR code to go to our motor setup page to find the guide for your motor.



<https://umbrashading.co.uk/motor-setup-guide/>

Your installation is now complete

