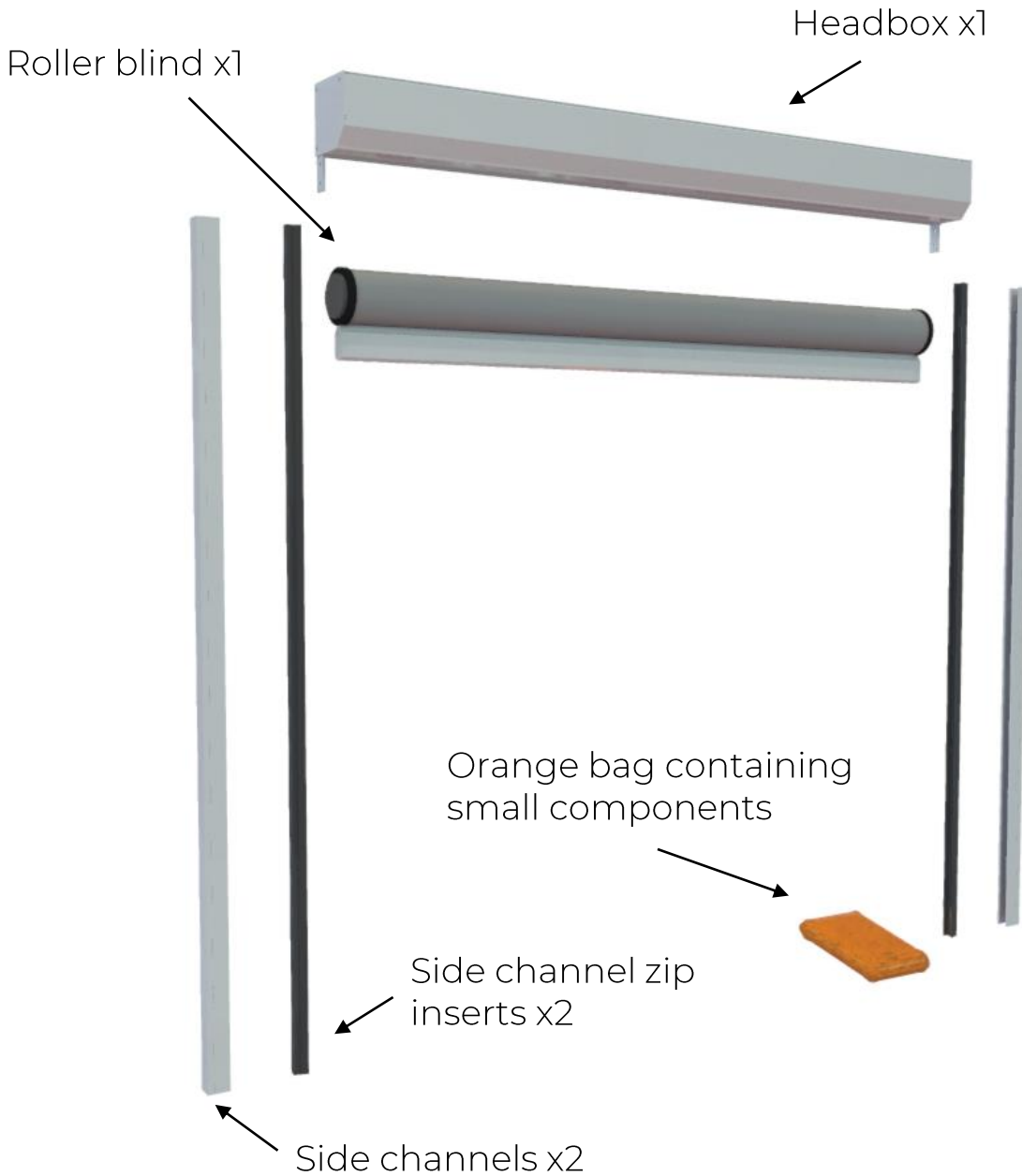


& KUROLOK  
FITTING INSTRUCTIONS



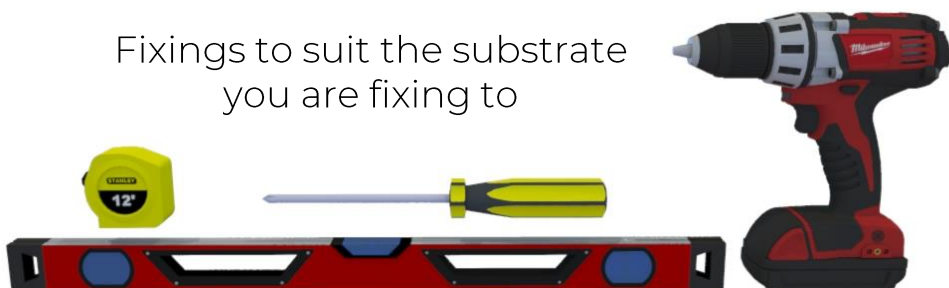
**Thank you for choosing the KuroLok blind**

Please unpack the delivery and check you have:



**Tools you will need:**

Fixings to suit the substrate you are fixing to



STEP 1

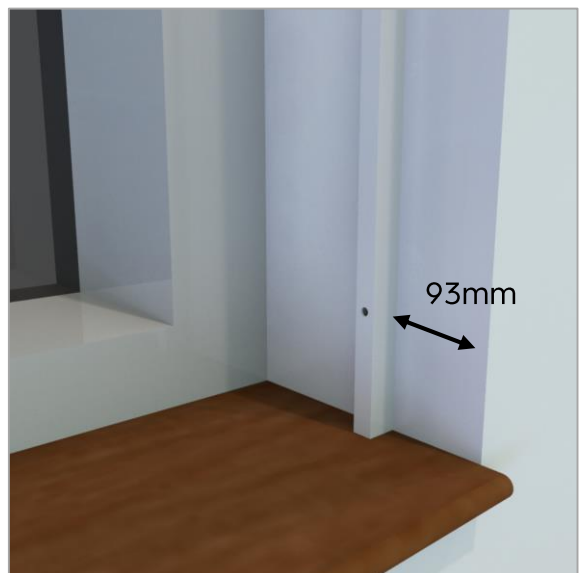
**If you're not using Umbra's box section fixing profile please proceed to step 2.**

Fit the box section against the left and right hand side of the window reveal.



Set the box section back in the reveal by at least 93mm to ensure the blind headbox is within the reveal.

Make sure they are fixed plumb and level.



STEP 2

**If your blind is not crank operated please proceed to step 3.**

Fixed crank handles will not be attached to the cassette when it is delivered.

You should receive a crank handle and a steel 'C' clip. These will be required at the end of the installation



For a detachable crank handle you will need to remove the magnetic universal joint.

Remove the screw and slide the magnetic universal joint off the gear shaft.

Put the universal joint and the screw in a safe place as these will be needed later.



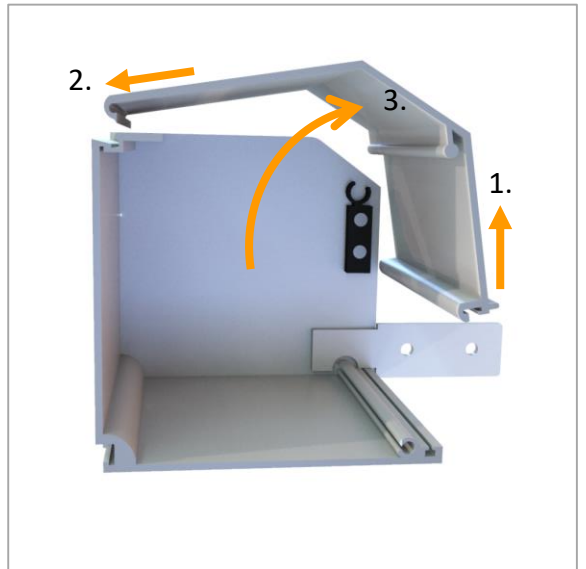
STEP 3

**Assembling your blind.**

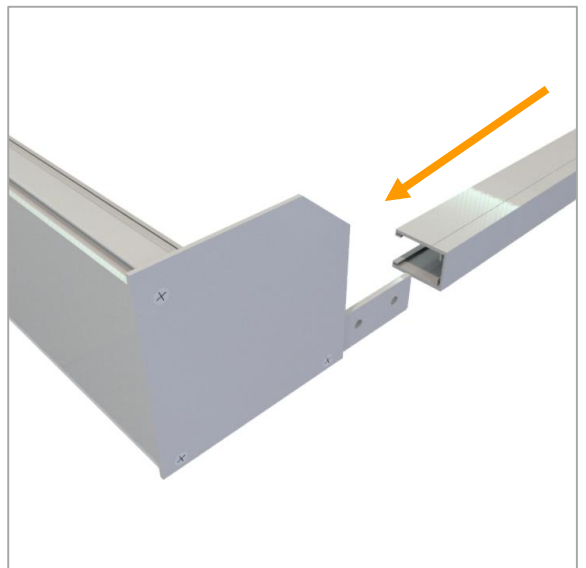
Remove the cassette front cover by releasing the screw from each end.



Hinge the cover forward by approx 8mm and it will lift off the back section as shown  
Reverse this procedure to replace the front cover at the end of the installation.



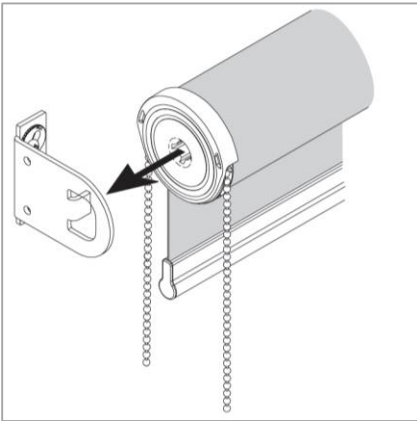
Slide the side channels onto the steel legs of the headbox end cheeks.



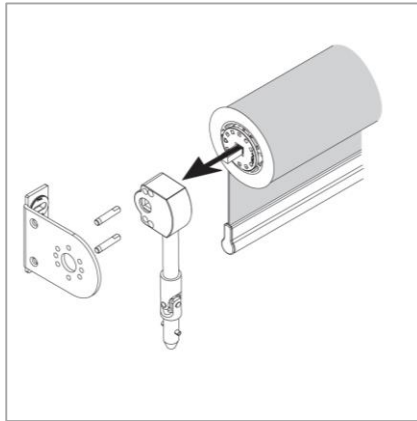
STEP 4

**Fit the roller blind into the headbox.**

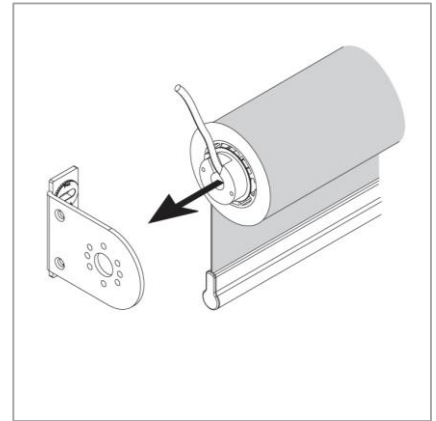
**Chain**



**Crank**



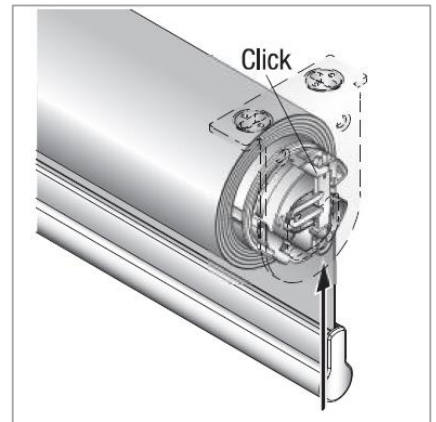
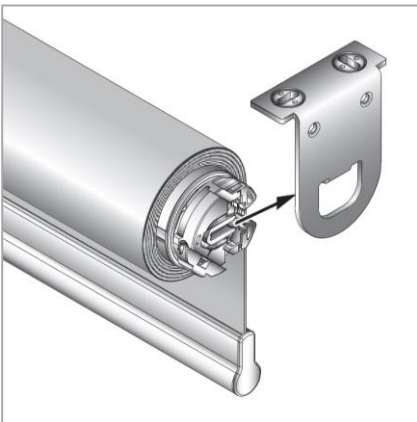
**Motorised**



**For Motorised**

Slide the cable through the cable exit hole in the cassette.  
 If no cable exit was specified at order stage, use a 13mm drill bit to create a cable exit and insert the rubber grommet supplied.

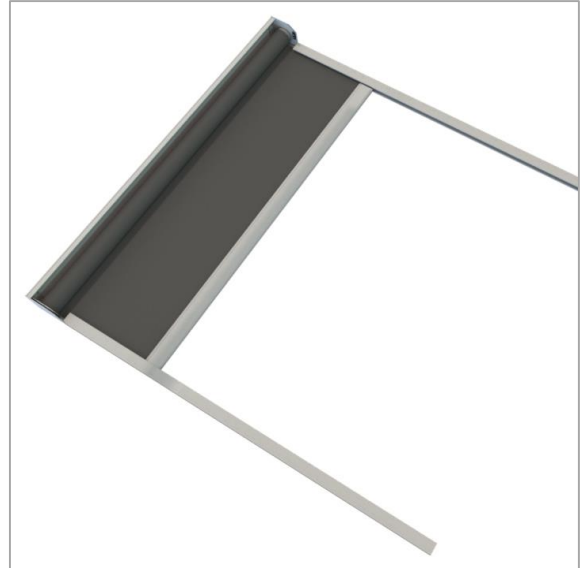
**Bearing End**



STEP 5

Form a goal post shape on the floor.

This is strong enough to be lifted by the side channels.



Now offer the blind up to the window.

The headbox should need no extra support as it will sit securely on top of the side channels



STEP 6

**Ensuring the blind is plumb and square is critical to the successful operation of the blind.**

Fix the side channels, starting at the top. Work your way down using a tape measure to ensure that the side channels are the same distance apart at each fixing point.

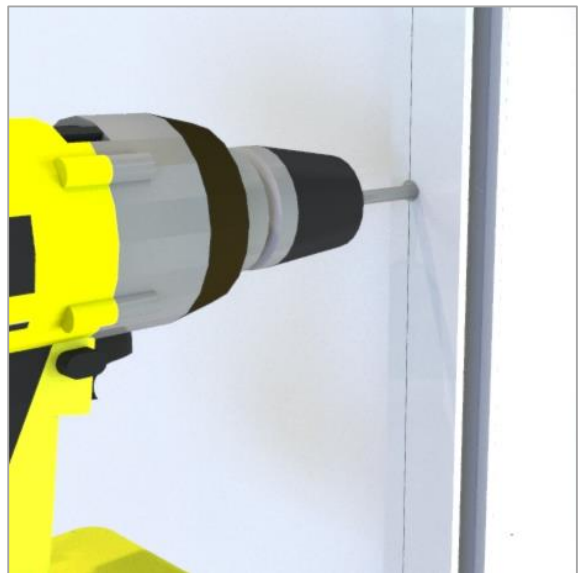


**If the fixing type was not stated on the purchase order the side channels will not be pre-drilled.**

**Face Fix** – drill a 5mm hole all the way through the face of the channel on the drill line, then enlarge the front hole to 8.5mm

**Reveal Fix** – drill a 5mm hole through the side of the channel

Cover caps to conceal face fix holes are available from Umbra.



STEP 7

**Fitting the zip insert into the side channels.**



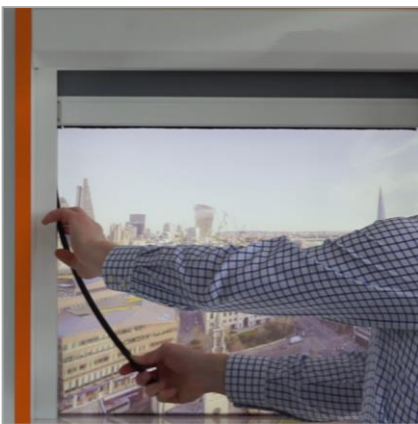
Unroll the blind by approximately 50mm.



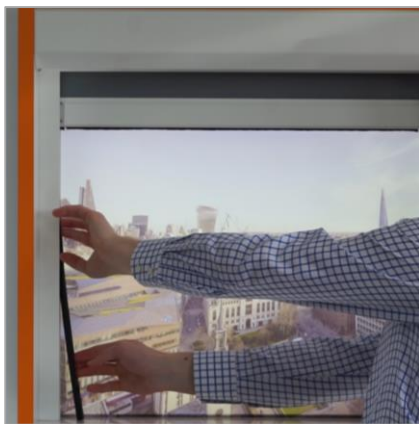
Start to slide one end of the black plastic insert up the channel with the fins facing outwards.



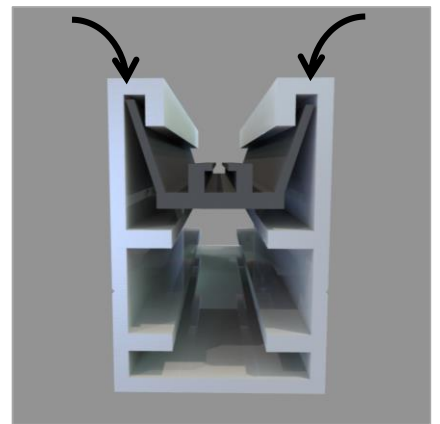
Engage the zip at the bottom of the hembar, with the opening at the centre of the plastic insert.



Once you have caught the end of the zip in the plastic insert, angle the insert so it is nearly parallel with the side channel and start to slide the insert up the zip on the edge of the fabric ensuring the zip stays engaged with the insert.



Once the insert is level with the top of the side channel you can push it back into the channel.



Ensure that the fins locate inside the returns on channel for the full drop of the blind.

Go to the URL below to watch a video of this process:

[www.umbrashading.co.uk/fit-kurolok](http://www.umbrashading.co.uk/fit-kurolok)



STEP 8

**Fitting the zip insert and cover buttons.**

Spray silicone down each zip insert.

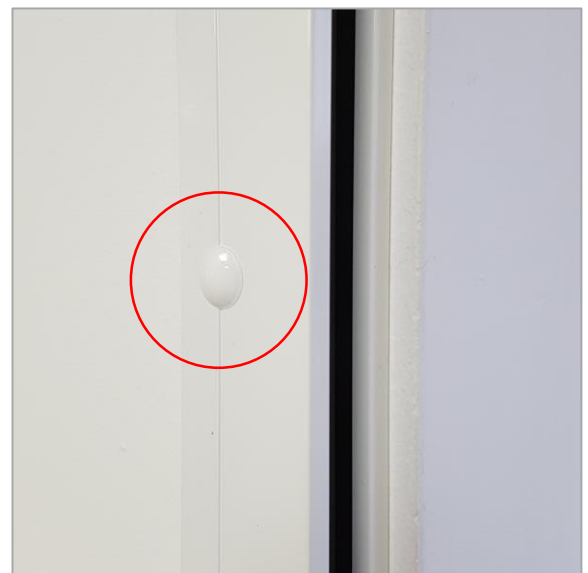
Run the blind down and back up again to ensure that the insert is correctly positioned within the channel.

When the blind is down you can press the edges of the fabric to check the zip is captivated by the insert.



**IF YOU ARE FACE FIXING**

Once you are happy that the blind is running perfectly and needs no further adjustment, you can tap the plastic cover caps into the fixing holes to create a neat finish.



## STEP 9

**Motor commissioning.****If your blind is not motorised, please proceed to step 10.**

If your blind is motorised you now need to set your motor limits and if you have a radio controlled motor, you will need to link the controller to the motor. Instructions from some common motor manufacturers are below.

The Somfy logo is displayed on a solid orange rectangular background. The word "somfy" is written in a white, lowercase, sans-serif font.**FOR SOMFY:**

Scan the QR code with your smartphone or type the below link into your browser:

[www.umbrashading.co.uk/somfy.pdf](http://www.umbrashading.co.uk/somfy.pdf)

The Vestamatic logo features a stylized diamond-shaped icon composed of four colored segments (red, blue, green, and yellow) to the left of the word "Vestamatic" in a blue, sans-serif font.**FOR VESTAMATIC:**

Scan the QR code with your smartphone or type the below link into your browser:

[www.umbrashading.co.uk/vestamatic.pdf](http://www.umbrashading.co.uk/vestamatic.pdf)



Once the commissioning has been done, clip the front cover into place and secure it with a screw at each end.

**Your installation is now complete**

STEP 10

**Finishing touches.**

**CHAIN OPERATION**

Feed the chain through the chain exit, clip the front cover into place and secure it with a screw at each end.

Follow the instructions supplied with the chain safety device (if applicable) to ensure your installation is child safe and compliant with BS EN 13120.

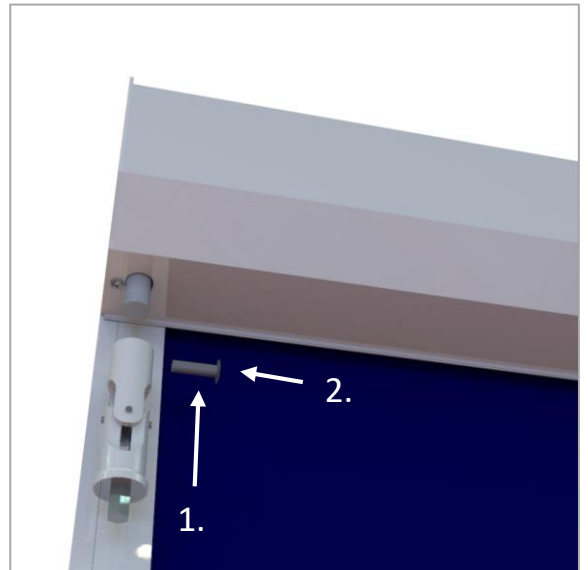
**Your installation is now complete.**



**DETACHABLE CRANK OPERATION**

Clip the front cover into place and secure it with a screw at each end. Replace the magnetic joint that you removed at the start of the installation.

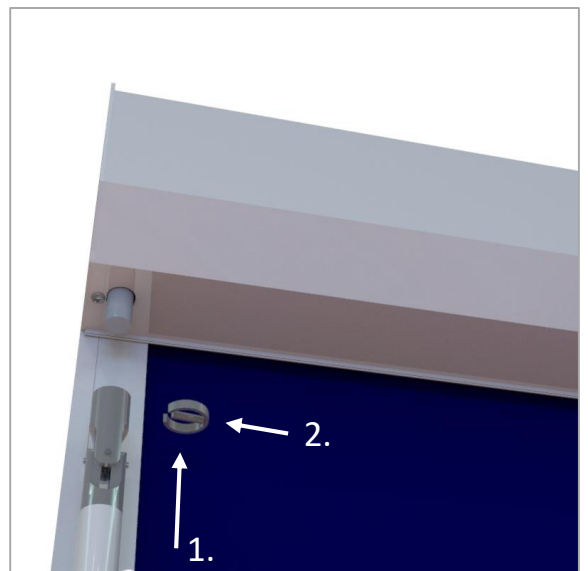
**Your installation is now complete.**



**FIXED CRANK OPERATION**

Clip the front cover into place and secure it with a screw at each end. Now attached the crank handle, securing it into place with the metal 'C' clip provided.

**Your installation is now complete.**



UMBRA®



® THANK YOU

PLEASE FEEL FREE TO GET IN TOUCH:

E: [sales@umbrashading.co.uk](mailto:sales@umbrashading.co.uk)

T: 01792 562015