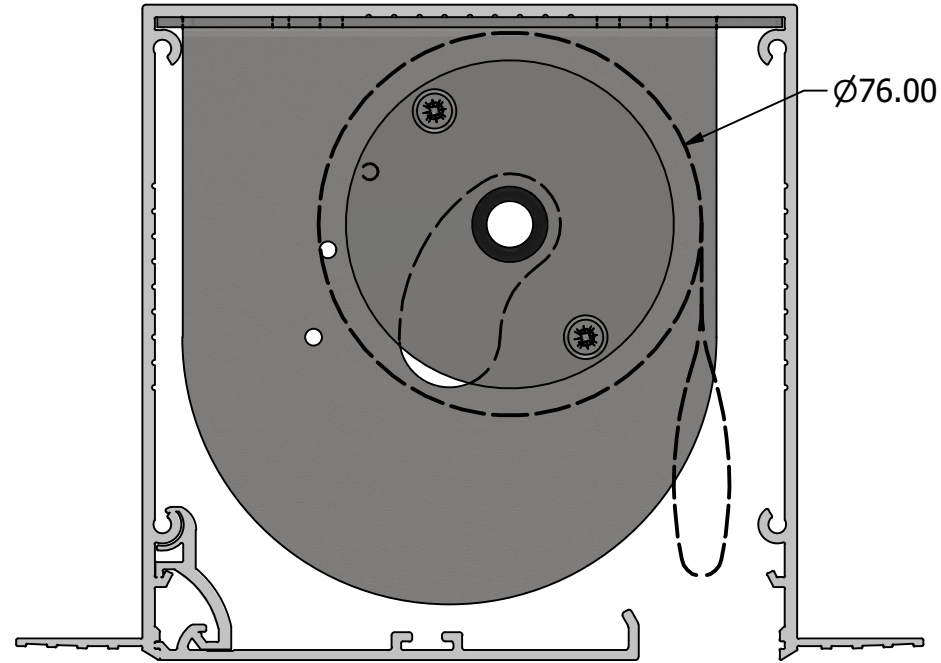
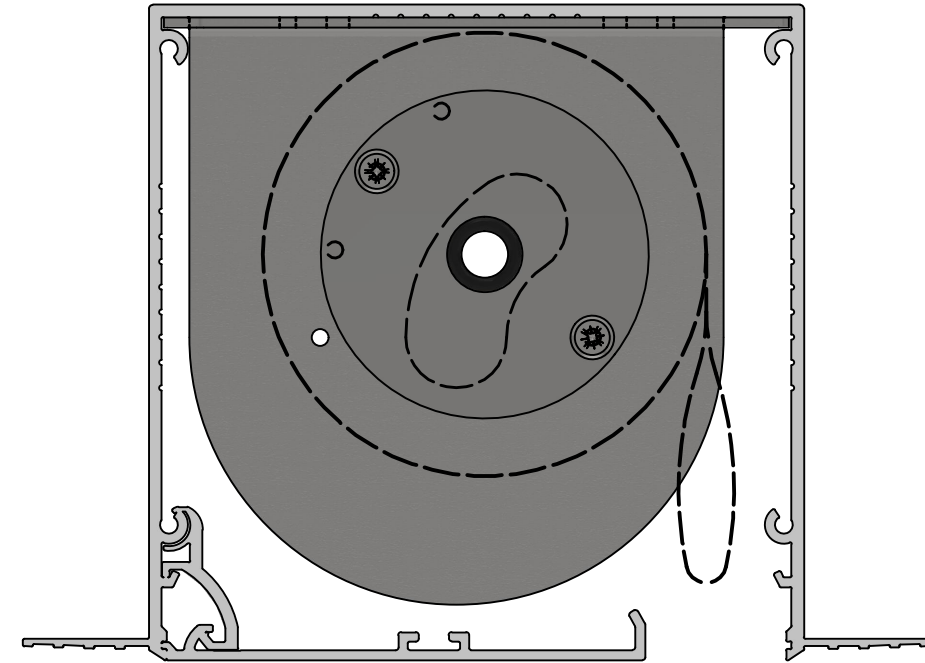


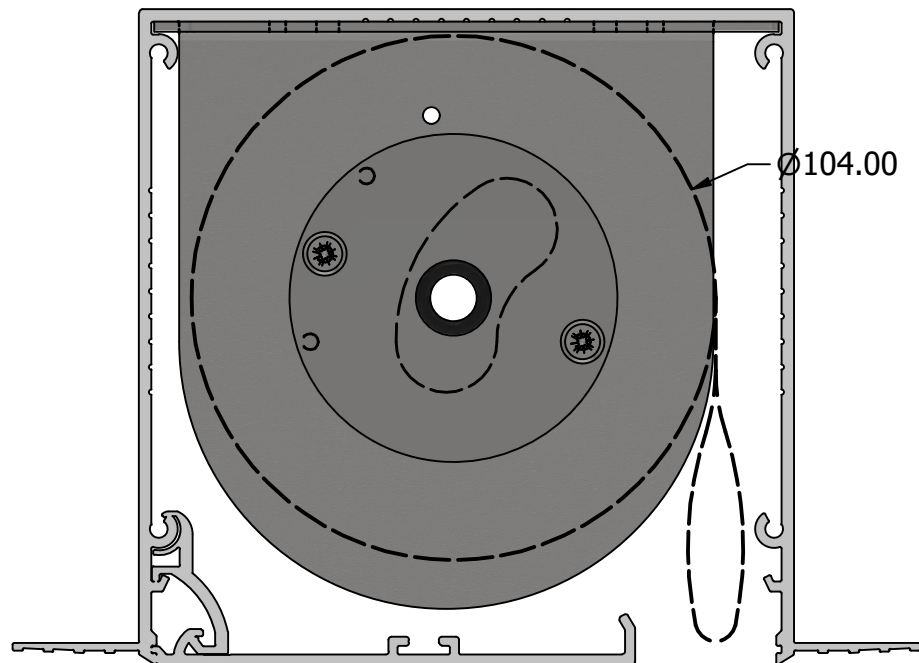
Position 1 (44mm tube)  
Max. rollup dia.: 76mm



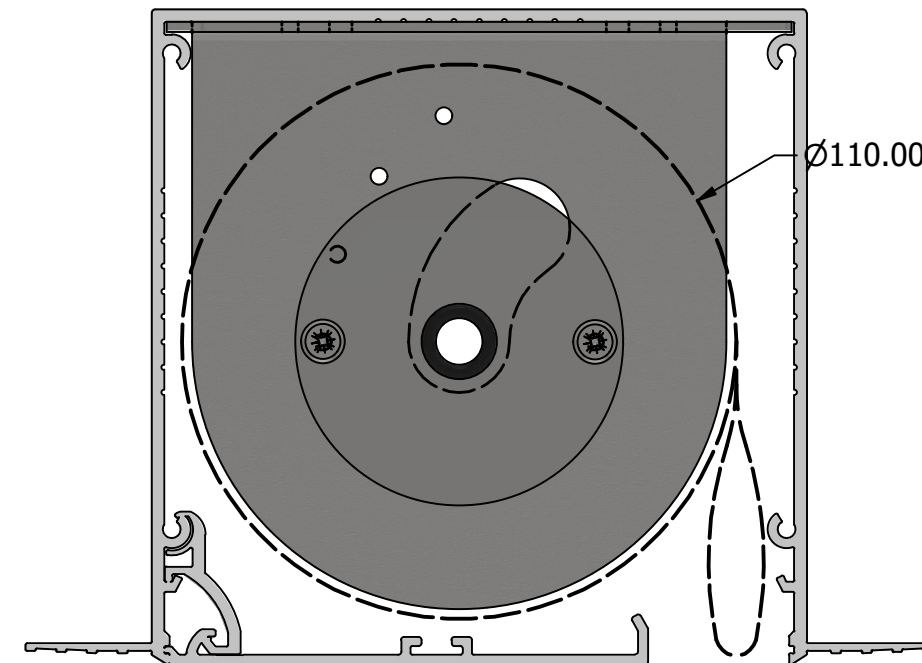
Position 2 (52mm tube)  
Max. rollup dia.: 88mm



Position 3 (65mm tube)  
Max. rollup dia.: 104mm



Position 4 (75mm tube)  
Max. rollup dia.: 110mm



|                            |                       |                  |   |
|----------------------------|-----------------------|------------------|---|
| MAXIMUM<br>BLIND<br>SIZES: | WIDTH:                | 5m               | <b>Evolve &amp; Evolve Zero in<br/>Blindspace S130x130<br/>Ellipse 43 hembar)</b> |
|                            | DROP:                 | 6m               |   |
|                            | AREA:                 | 16m <sup>2</sup> |   |
| AUTHOR:                    | Marshall Hill         |                  | SYSTEM<br>DETAILS:  |
| DATE:                      | 06/02/2025            |                  |   |
| SCALE:                     | SHEET SIZE: <b>A3</b> |                  | <b>UMBRA</b> ®  |
| <b>2 : 3</b>               | SHEET 1 OF 1          |                  |   |

**Umbr**  
31 Ystrad Road  
Swansea West Business Park  
Swansea  
SA5 4BT

01792 562015  
umbrashading.co.uk  
sales@umbrashading.co.uk

**UMBRA**®