

UMBRA®

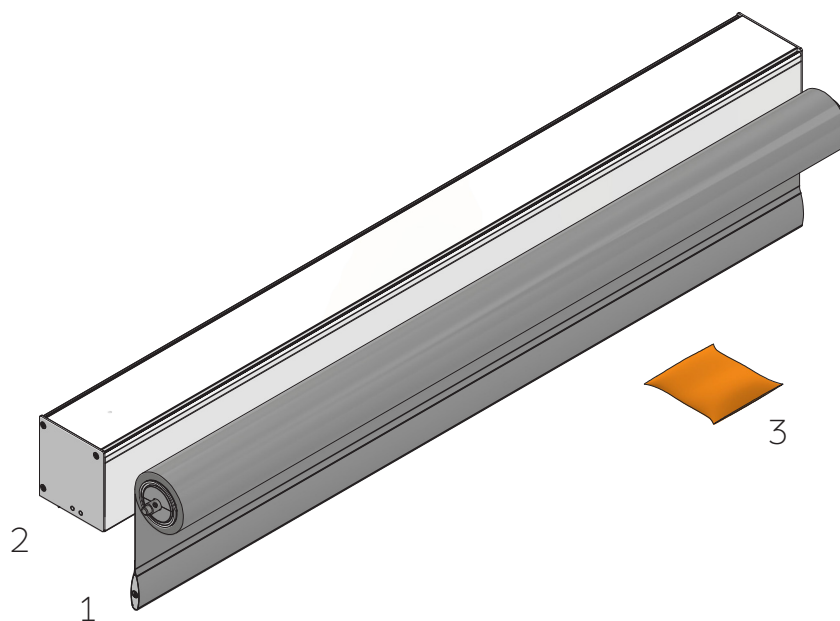
Fitting Instructions

Evolve Zero

Roller blind system

Thank you for choosing Evolve Zero

Please unpack the delivery and check you have:

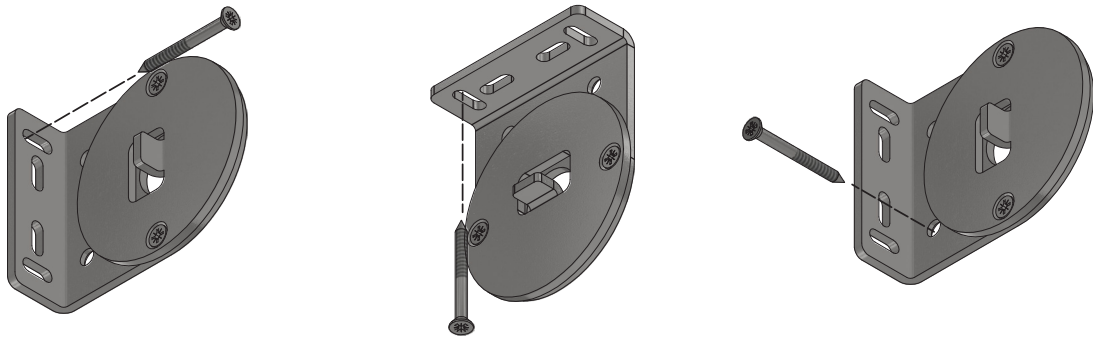


1. 1x roller blind
2. 1x cassette (if ordered)
3. 1x orange bag containing brackets & any other components necessary

STEP 1

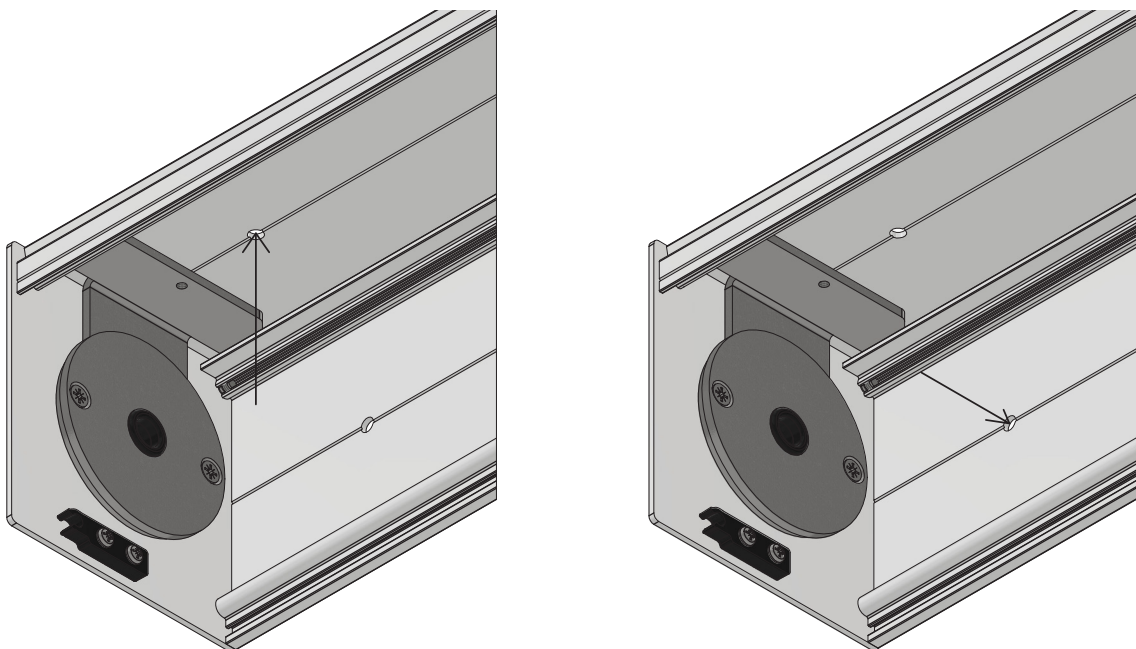
Fitting your brackets (for non-cassette blinds).

Fit your brackets in place using fixings suitable for your fixing ground. There are 3 available fixing options, as shown below.



Fitting your cassette.

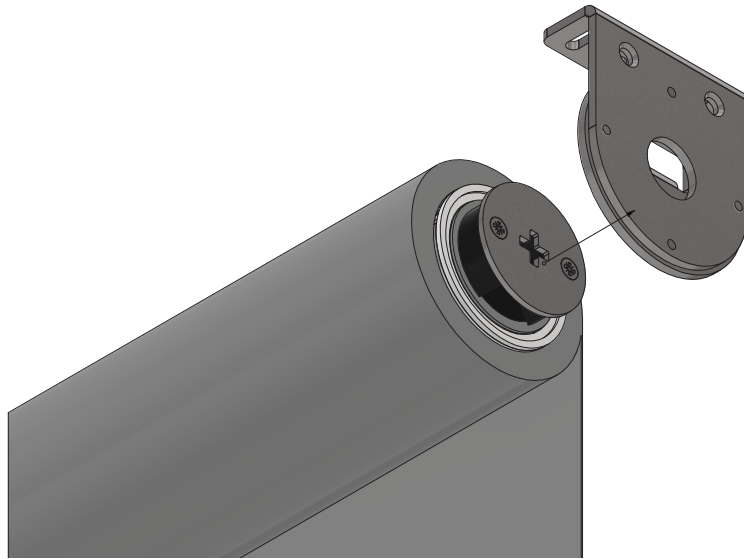
Remove the front cover of your cassette, and pre-drill the back section if necessary, then fix into place. There are 2 available fixing options, as shown below.



STEP 2

Fitting the control end.

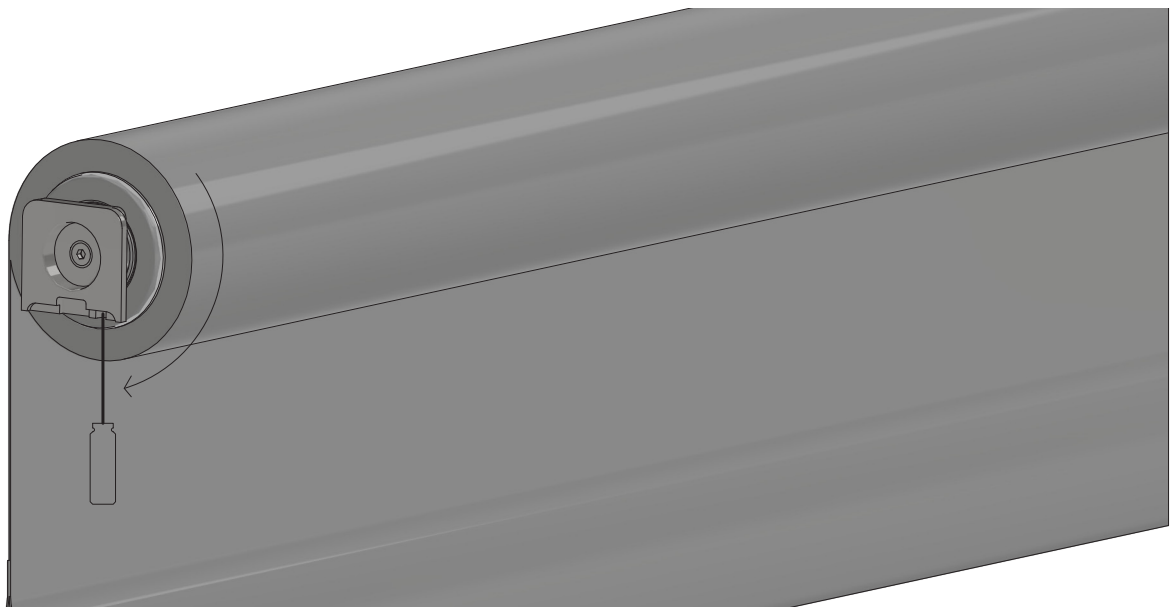
Engage the motor plate with the bracket, ensuring the cable is exiting in your desired direction.



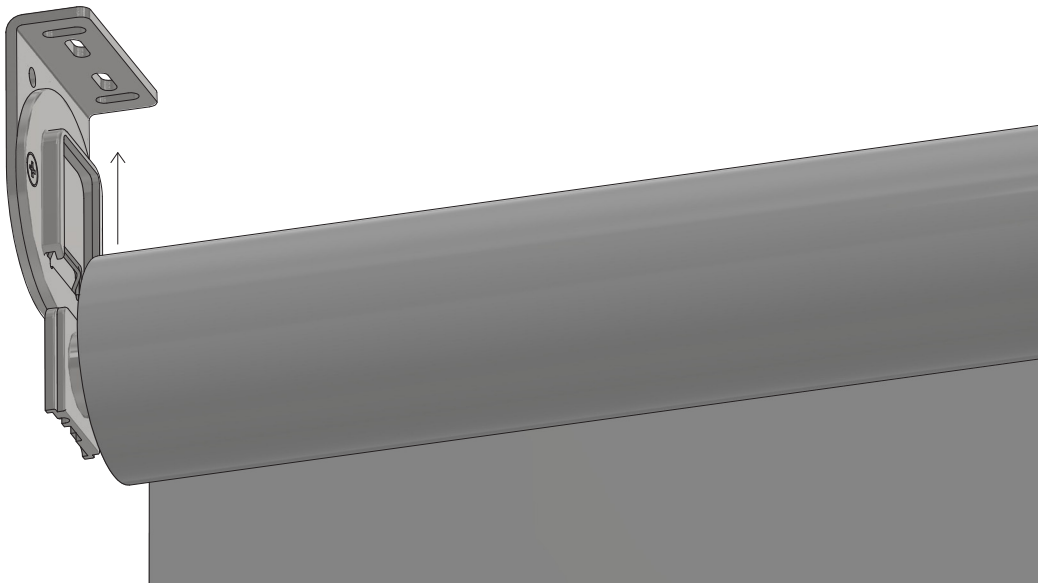
STEP 3

Fitting the bearing end.

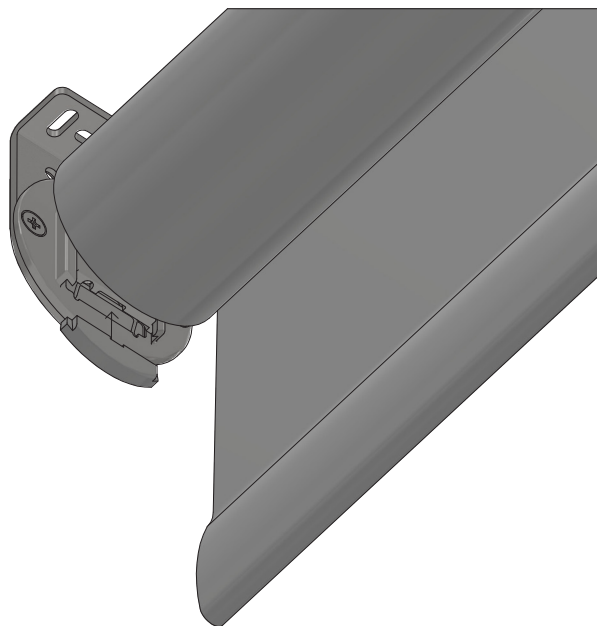
First ensure that the bearing is facing the right way up. You may need to insert a small screwdriver or similar in the hole in the bottom of the bearing to rotate it. The bearing **MUST** be oriented as shown below for the blind to function.



Then slide the bearing up into the bracket plate.



Finally, re-insert the plastic bearing cover.



STEP 4

Motor commissioning.

You will have received a motor set-up card with your blind for the motor you are using. Scan the QR code on this card to view the setup video or PDF instructions for your motor. Alternatively, you can scan this QR code to go to our motor setup page to find the guide for your motor.

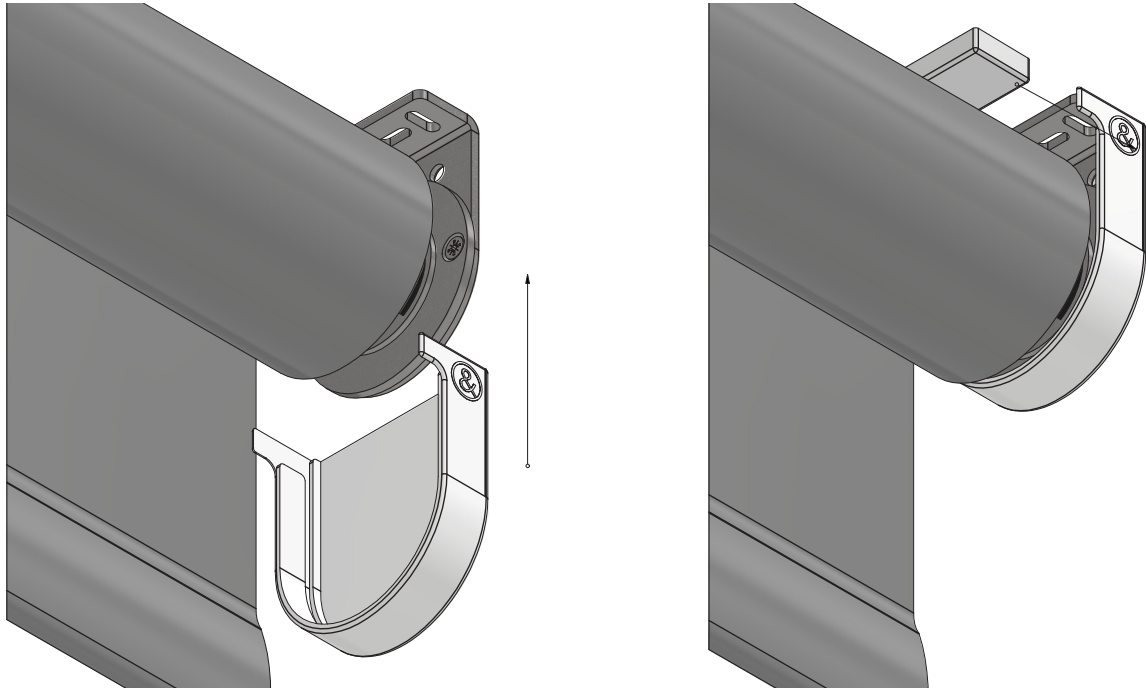


<https://umbrashading.co.uk/motor-setup-guide/>

STEP 5

Fit the bracket covers (for non-cassted blinds).

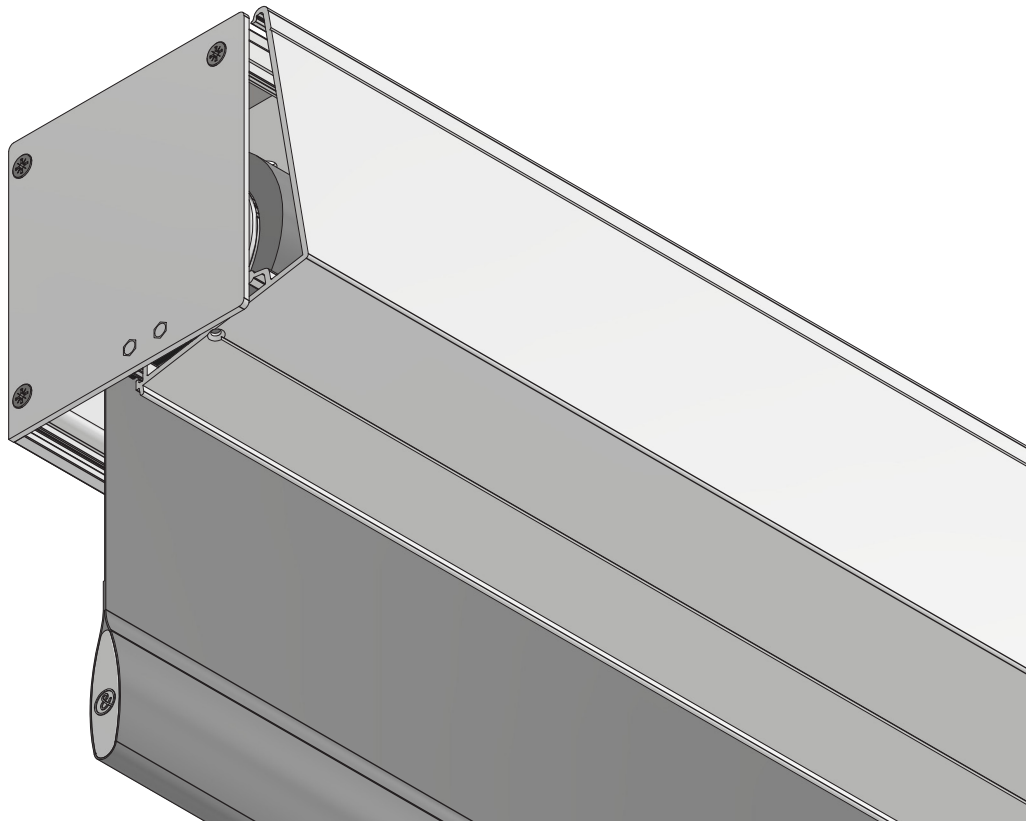
Slide the bracket cover onto the bracket, then slide the screw cover over the foot of the bracket. Repeat for the other side of the blind.



STEP 5

Fit the cassette front cover.

Fit the front cover of your cassette, and re-install the fixing screws.



Your installation is now complete.

