

UMBRA®

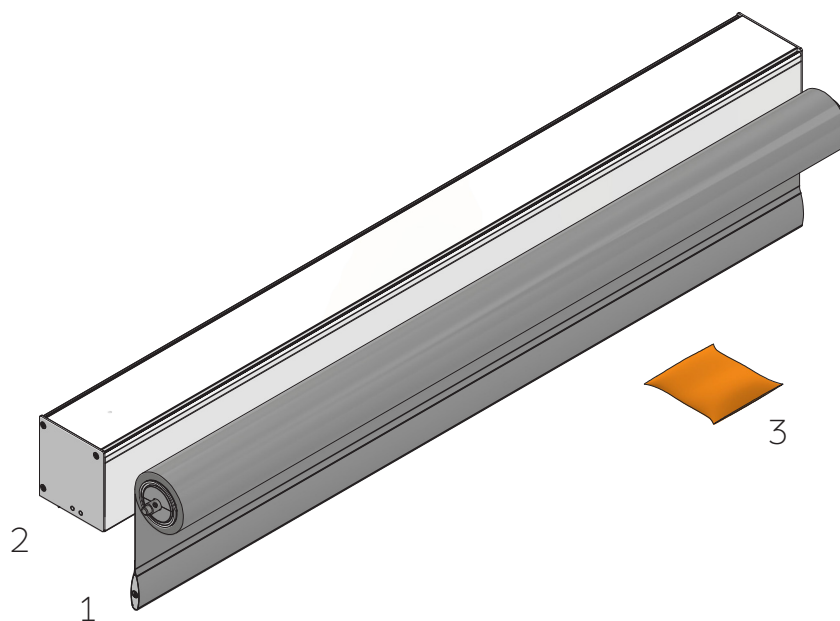
Fitting Instructions

Evolve®

Roller blind system

Thank you for choosing Evolve

Please unpack the delivery and check you have:

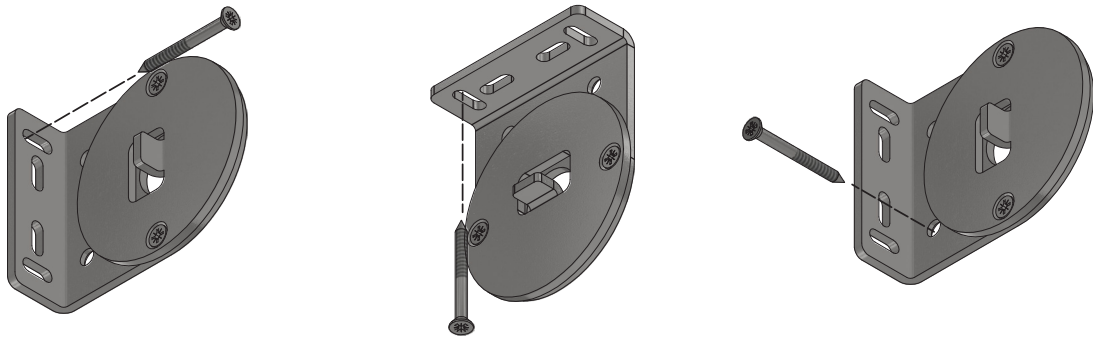


1. 1x roller blind
2. 1x cassette (if ordered)
3. 1x orange bag containing brackets & any other components necessary

STEP 1

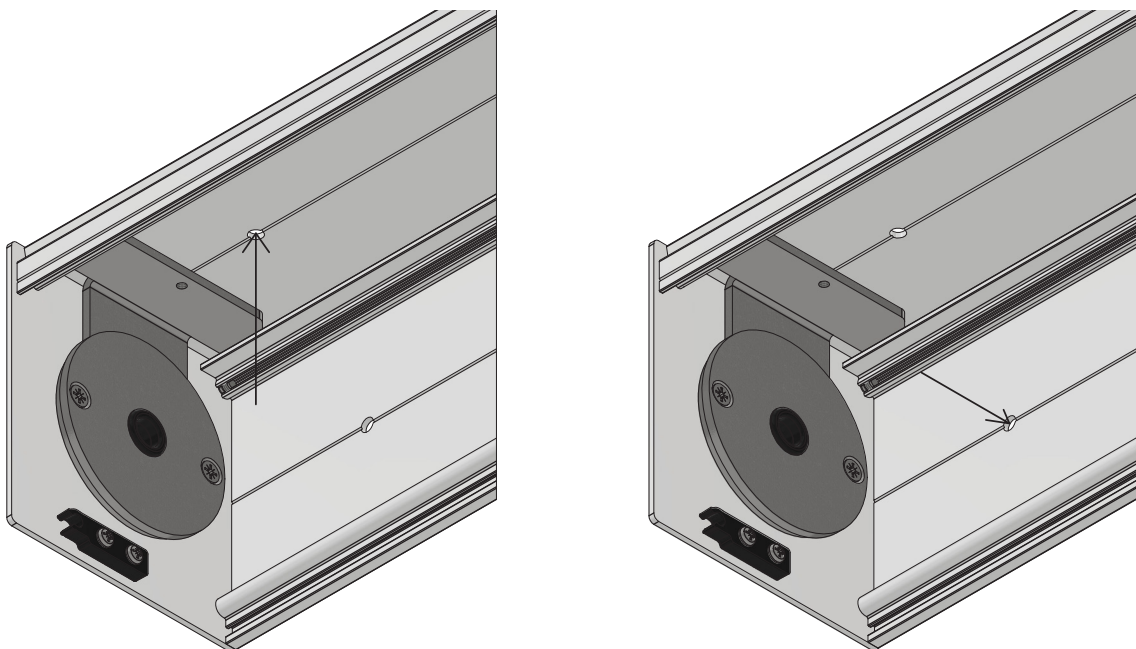
Fitting your brackets (for non-cassette blinds).

Fit your brackets in place using fixings suitable for your fixing ground. There are 3 available fixing options, as shown below.



Fitting your cassette.

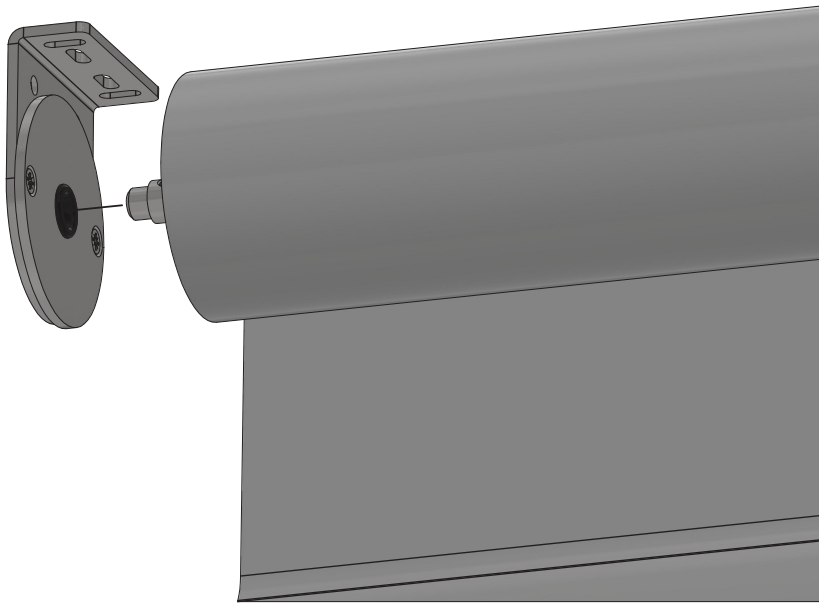
Remove the front cover of your cassette, and pre-drill the back section if necessary, then fix into place. There are 2 available fixing options, as shown below.



STEP 2

Fitting the bearing end.

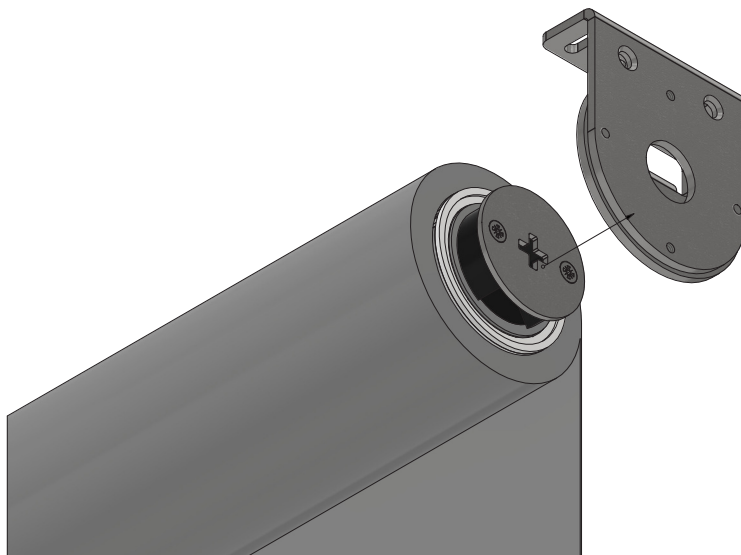
Engage the spring-loaded bearing in the bracket, and compress the spring.



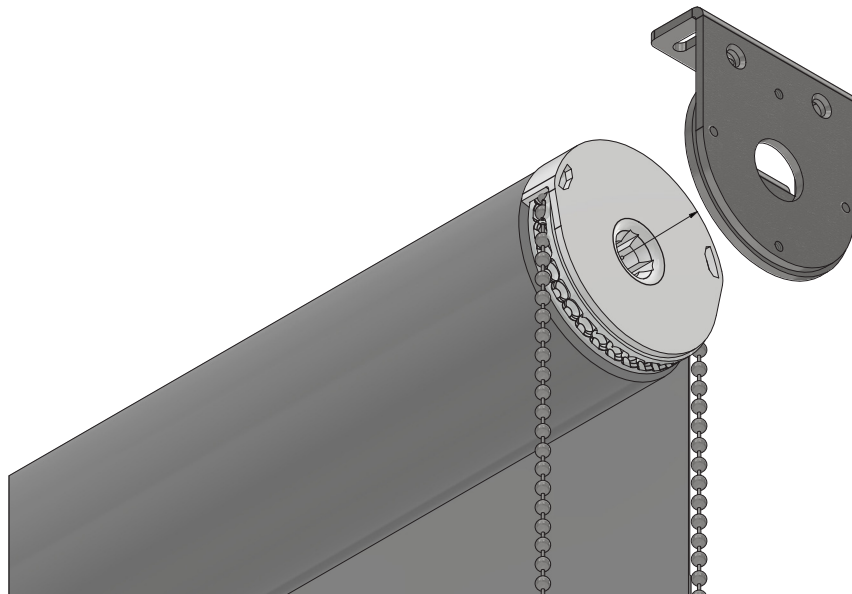
STEP 3

Fitting the control end.

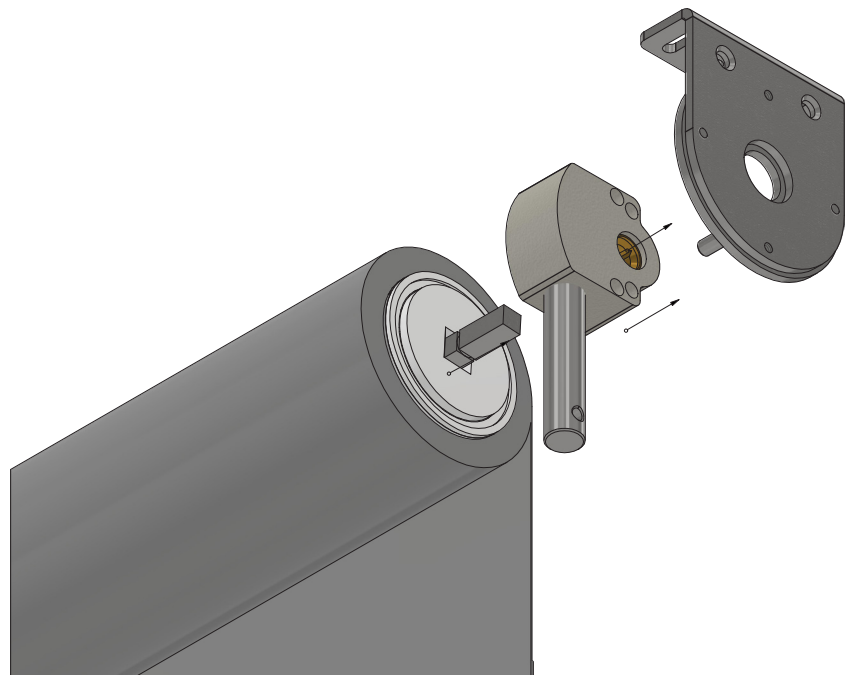
For a motorised blind, engage the motor plate with the bracket, ensuring the cable is exiting in your desired direction



For a chain blind, engage the chain mechanism with the bracket.



For a crank-operated blind, ensure the gear is engaged on the bracket in your desired orientation, then engage the pin in the end of the blind with the gear.



STEP 4

Motor commissioning.

You will have received a motor set-up card with your blind for the motor you are using. Scan the QR code on this card to view the setup video or PDF instructions for your motor. Alternatively, you can scan this QR code to go to our motor setup page to find the guide for your motor.

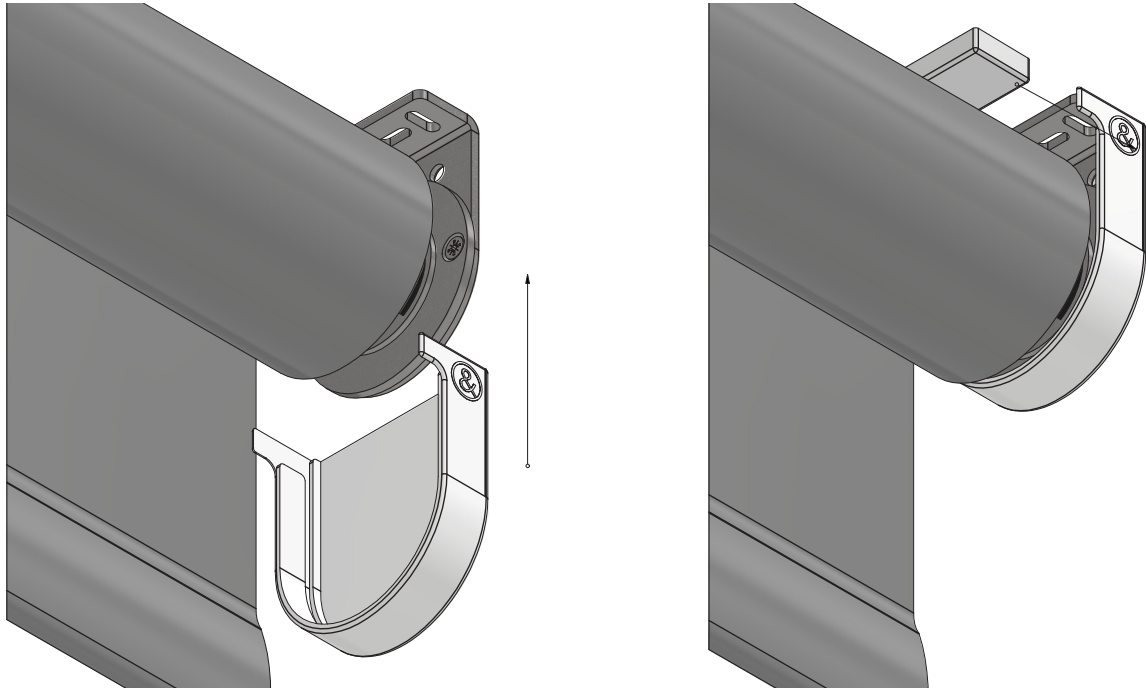


<https://umbrashading.co.uk/motor-setup-guide/>

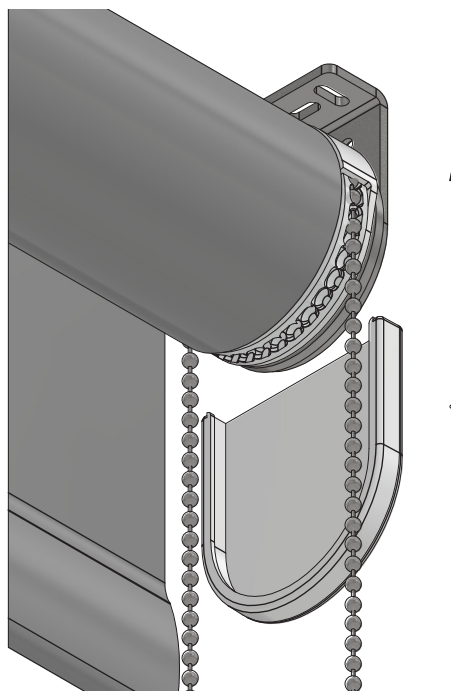
STEP 5

Fit the bracket covers (for non-cassted blinds).

For motorised blinds, slide the bracket cover onto the bracket, then slide the screw cover over the foot of the bracket. Repeat for the other side of the blind.



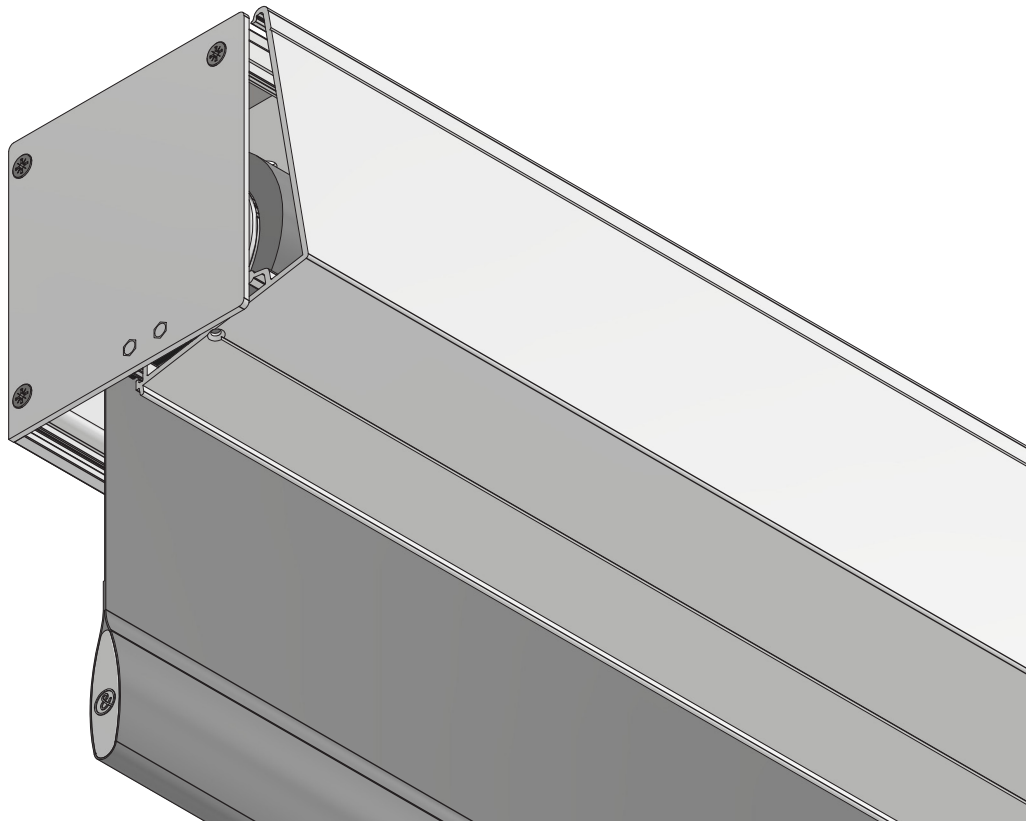
For manual blinds, slide the bracket cover onto the bracket, and repeat for the other side of the blind



STEP 5

Fit the cassette front cover.

Fit the front cover of your cassette, and re-install the fixing screws.



Your installation is now complete.

