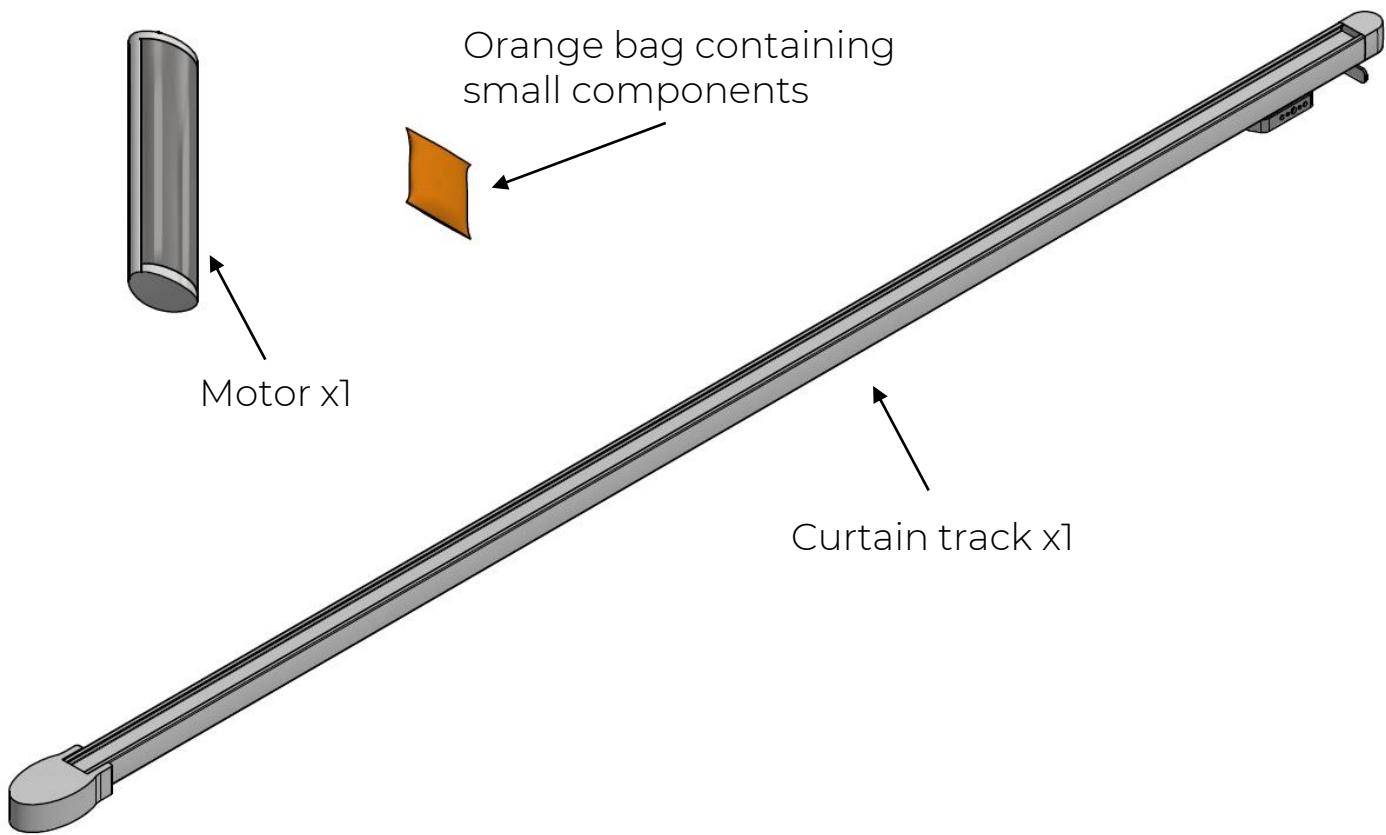




Thank you for choosing the Flow curtain track system

Please unpack the delivery and check you have:



Tools you will need:

Fixings to suit the substrate you are fixing to

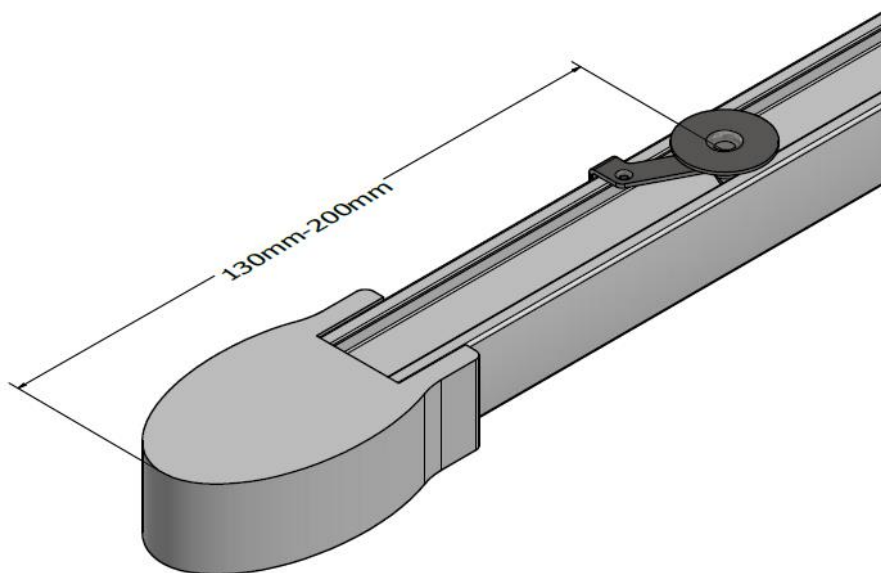
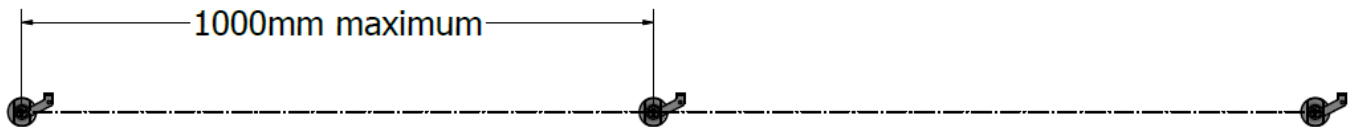


STEP 1

Before you get started:

It's important that your Flow track has a good fixing along its full length. Ensure you have a good fixing ground, and that your brackets are spaced approx. 500mm apart, with brackets no more than 200mm from either end of the track.

To allow the brackets to engage with the track, ensure your brackets are perfectly aligned when fixed. We recommend using a laser level to achieve this.

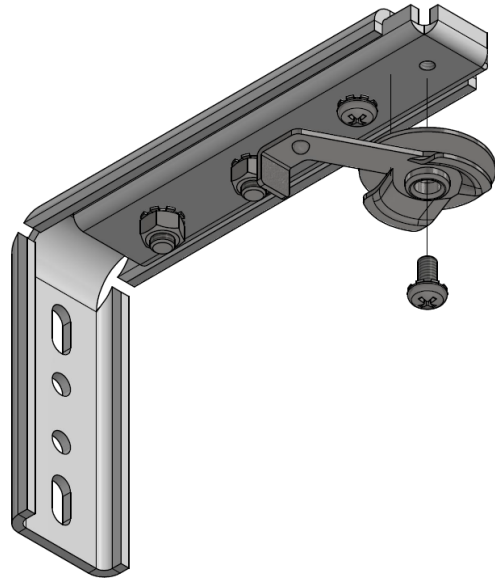


STEP 2

If you're not using face-fix brackets, proceed to step 3

Fix the swivel brackets onto the face-fix brackets with the supplied screws.

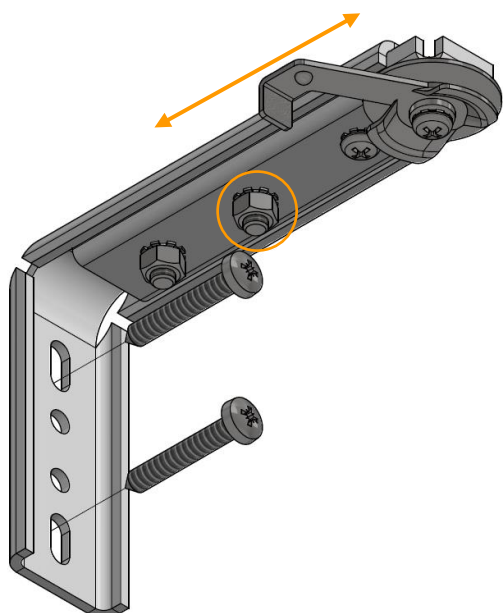
NOTE: Do not overtighten the swivel brackets – the arm should still be able to rotate freely.



Securely fix the brackets in place, ensuring they are level, and the swivel brackets are perfectly aligned.

If necessary, adjust the projection from the wall by loosening the nuts (circled)

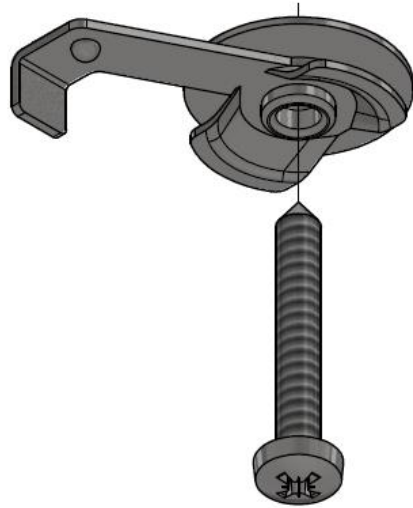
Refer to page 3 for details on spacing of brackets.



STEP 3

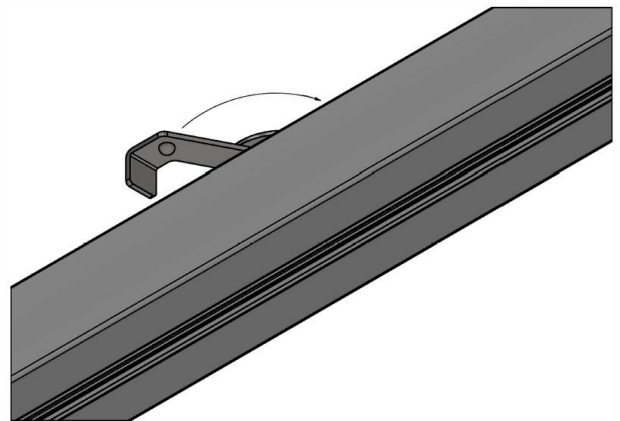
If you're not using face-fix brackets, fix the swivel brackets into place. Refer to page 3 for details on spacing of brackets.

NOTE: Do not overtighten the swivel brackets – the arm should still be able to rotate freely



To fix the track in place, first ensure the arms of the swivel brackets are rotated 90° from the track.

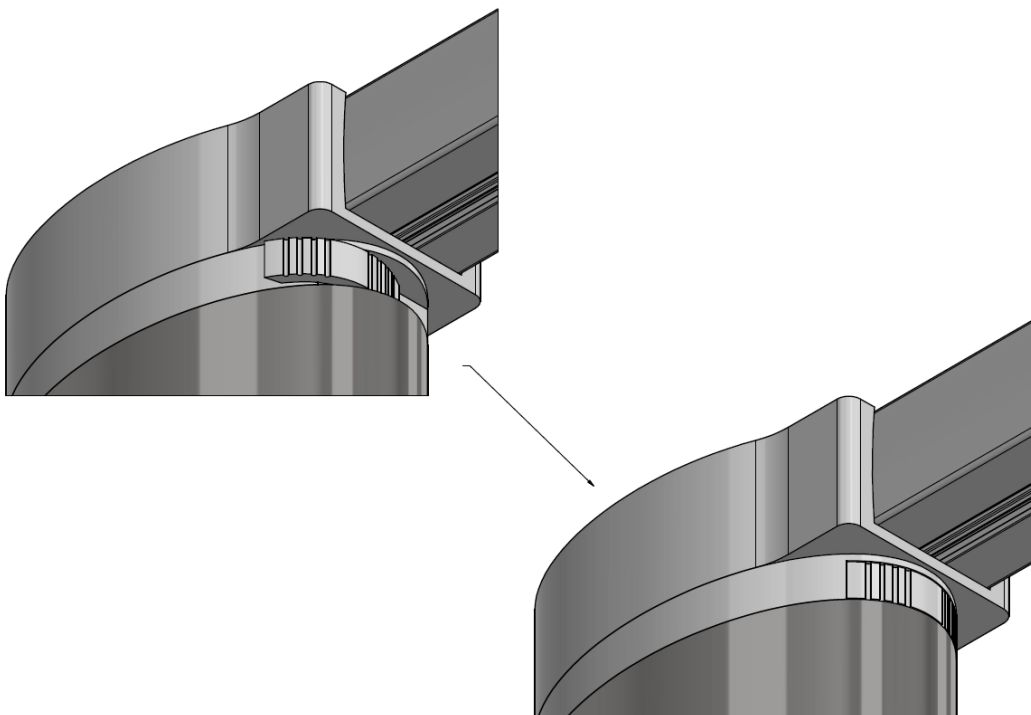
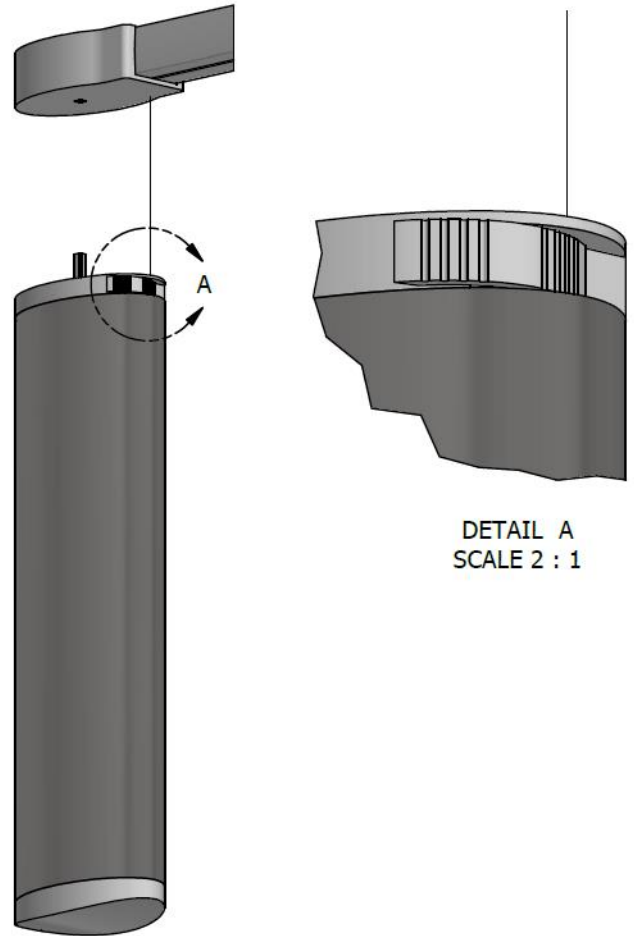
Offer up the track & push the brackets into place, ensuring they click fully into position



STEP 4

To fix the motor to the track, engage the motor pin with the drive pulley of the track, ensuring the motor clip is in the 'open' position first.

Push the motor into position & close the clip to lock the motor in place.



STEP 5

Fit curtain

Set up motor (RTS & WT)

UMBRA®



® THANK YOU

PLEASE FEEL FREE TO GET IN TOUCH:

E: sales@umbrashading.co.uk

T: 01792 562015