

& SOLARIS  
FITTING INSTRUCTIONS



STEP 1

## Solaris System Sizes

Carefully unwrap the roller blind and its associated brackets. The brackets are universal and can be fixed in a top, face or side fix position.

Please note there are 3 system sizes in the Solaris range – 32mm, 40mm and 45mm.

Note – Solaris 32 has two different brackets, an idle end and a control end.

Solaris 32 Brackets

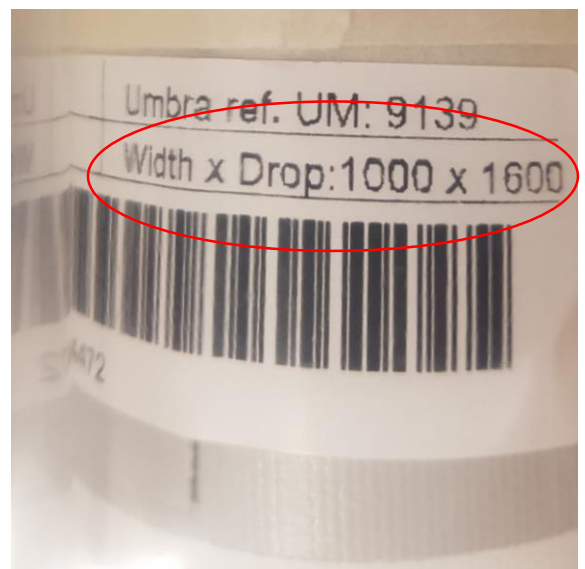


Solaris 40 & 45 Brackets



Check the label on the blind and find the blind width.

This is the distance from outside of idle end bracket to outside of control end bracket.



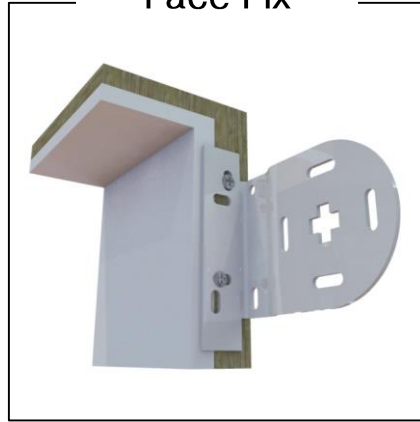
STEP 2

Fix the bracket in position

Top Fix



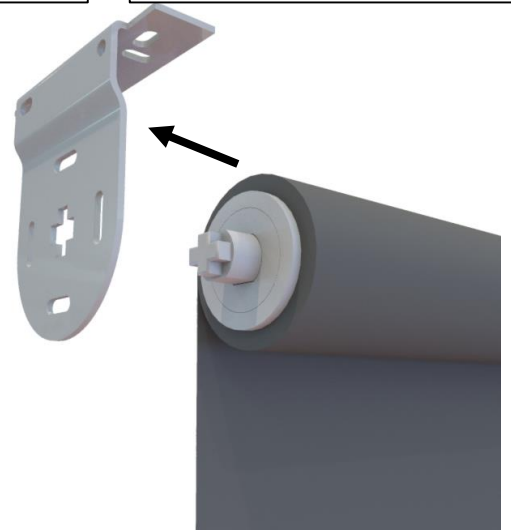
Face Fix



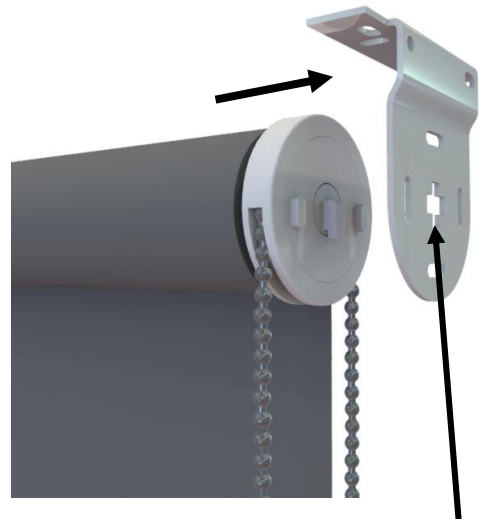
Side Fix



Offer the idle end (the end with the pin) to the idle end bracket and compress the spring plunger fully.



With the idle end in place offer the control end to the opposite bracket and secure the blind in place ensuring that the centre lug has dropped into the slot on the bracket.

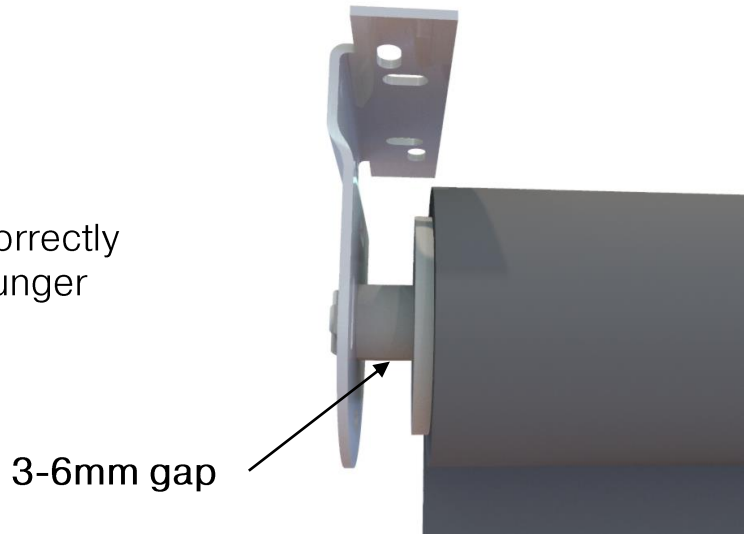


Slot Location 3

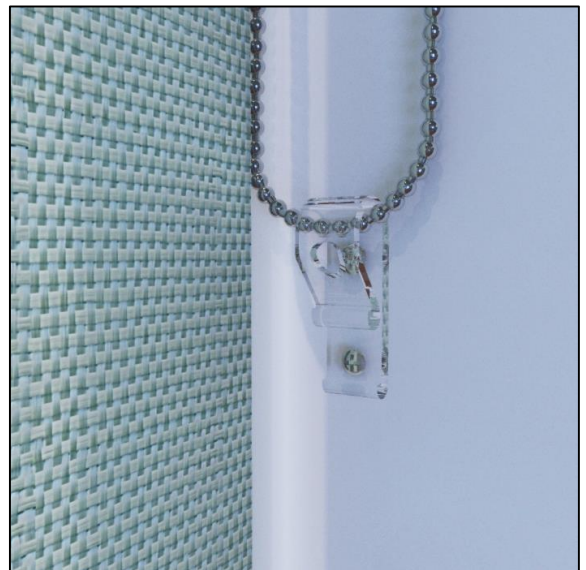
STEP 3

Child Safety – BS EN 13120

When the brackets are spaced correctly there should be 3-6mm of the plunger showing at the idle end.



If your blind needs to be child safe a plastic chain retainer will be supplied and this must be fitted in accordance with BS EN 13120.



UMBRA®



® THANK YOU

PLEASE FEEL FREE TO GET IN TOUCH:

E: [sales@umbrashading.co.uk](mailto:sales@umbrashading.co.uk)

T: 01792 562015