

& SIRIOS

FITTING INSTRUCTIONS

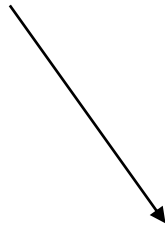


STEP 1

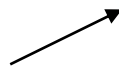
Thank you for choosing the Sirius blind

Please unpack the delivery and check you have:

Roller blind x1

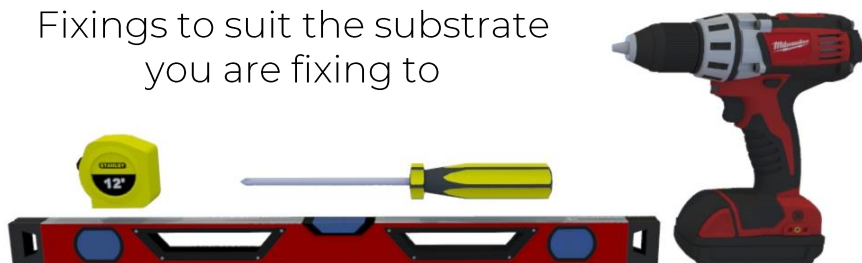


Orange bag containing
small components



Tools you will need:

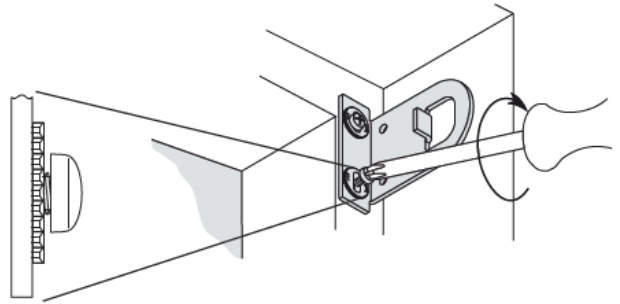
Fixings to suit the substrate
you are fixing to



STEP 2

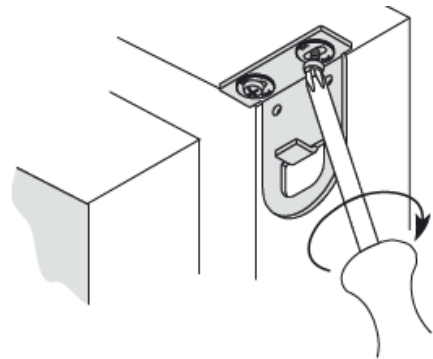
FOR FACE FIX

Screw the blind brackets to the face of the surface you are fixing to through the grey washers in the 2 holes on the foot of the bracket.
Ensure brackets at both sides of the reveal are perfectly level.



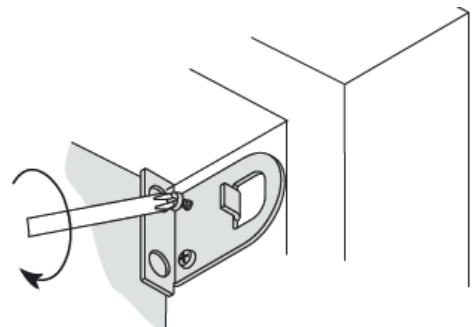
FOR TOP FIX

Screw the blind brackets to the underside of the surface you are fixing to through the grey washers in the 2 holes on the foot of the bracket.
Ensure brackets at both sides of the reveal are perfectly level.



FOR SIDE FIX

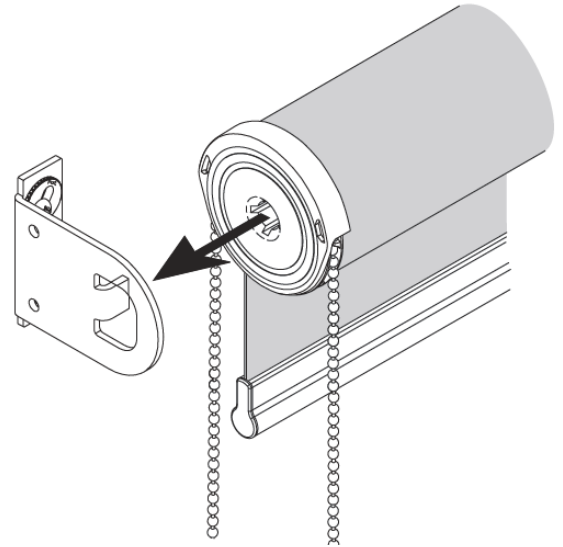
Screw the blind brackets to the inside edge of the surface you are fixing to through the 2 smaller holes on the main part of the bracket.
Ensure brackets at both sides of the reveal are perfectly level.



STEP 3

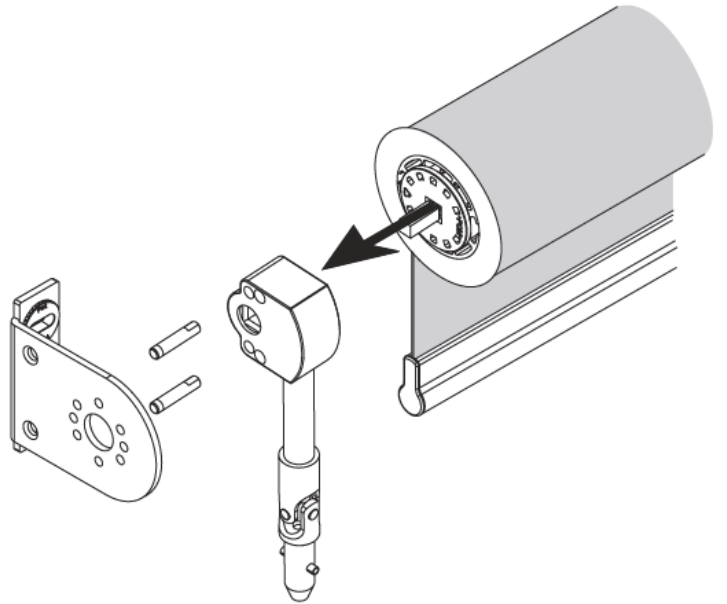
FOR CHAIN OPERATION

Lift the blind into position, control end first. Slide the end of the chain mechanism onto the tongue of the bracket.



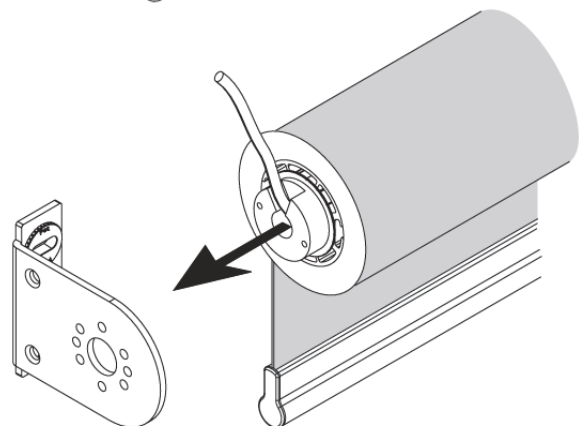
FOR CRANK OPERATION

The 2 pins to hold the gear are already fixed onto the bracket, secured with Loctite. Should you need to change these for a different gear orientation then remove the pins with pliers and re-fix these in the correct positions (we recommend using Loctite to secure the pins). Put the gear in place slotted onto the 2 pins and lift the blind into position, control end first, slotting the square shaft through the hole in the gear.



FOR MOTOR OPERATION

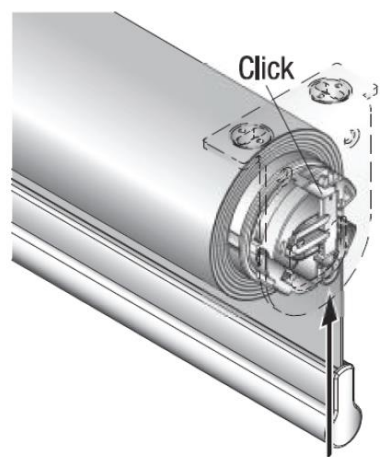
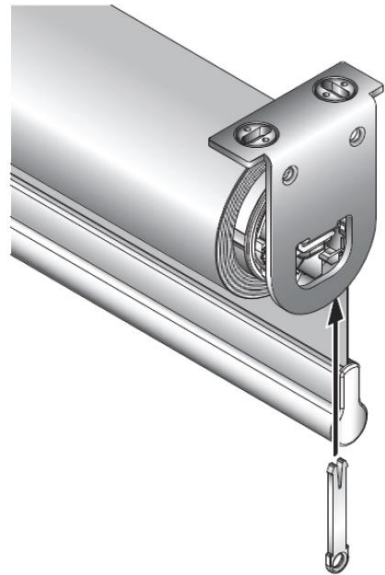
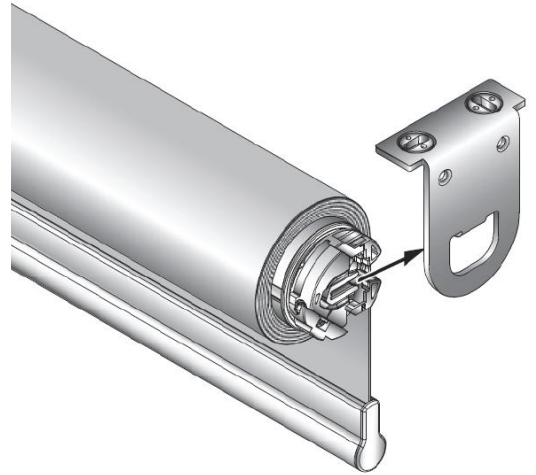
Lift the blind into position, control end first. Fix the motor end of the blind onto the motor bracket.



STEP 4

FOR THE BEARING END
- ANY OPERATION

Lift the bearing end of the blind into position and slot it onto the tongue of the bracket. Once the blind is securely in place, insert the small flat plastic pin into the hole on the bottom of the idle end bearing. You should hear a 'CLICK' when this is properly locked in place.



STEP 5 + 6

FITTING THE BRACKET COVERS

Slot the bracket covers over the metal blind brackets



WARNING



- Young children can strangle in the loop of pull cords, tapes and cords that operate window coverings. They can also wrap cords around their necks.
- To avoid strangulation and entanglement, keep cords out of reach of young children.
- Move beds, cots and furniture away from window covering cords.
- Do not tie cords together. Make sure cords do not twist and create a loop.
- Install and use the included safety devices according to the installation instructions on these device to reduce possibility of such an accident.



According to EN 13120

For chain operated blinds, your installation is now complete

**FOR MOTOR OPERATION
PLEASE SEE NEXT PAGE**

STEP 7

Motor commissioning.**If your blind is not motorised, ignore this step.**

If your blind is motorised you now need to set your motor limits and if you have a radio controlled motor, you will need to link the controller to the motor. Instructions from some common motor manufacturers are below.

The Somfy logo is displayed in white lowercase letters on a solid orange rectangular background.**FOR SOMFY:**

Scan the QR code with your smartphone or type the below link into your browser:

www.umbrashading.co.uk/somfy.pdf

The Vestamatic logo features a stylized diamond-shaped icon with red and blue elements to the left of the brand name 'Vestamatic' in a grey sans-serif font.**FOR VESTAMTIC:**

Scan the QR code with your smartphone or type the below link into your browser:

www.umbrashading.co.uk/vestamatic.pdf



Once the commissioning has been done, clip the front cover into place and secure it with a screw at each end.

Your installation is now complete

UMBRA®



® THANK YOU

PLEASE FEEL FREE TO GET IN TOUCH:

E: sales@umbrashading.co.uk

T: 01792 562015