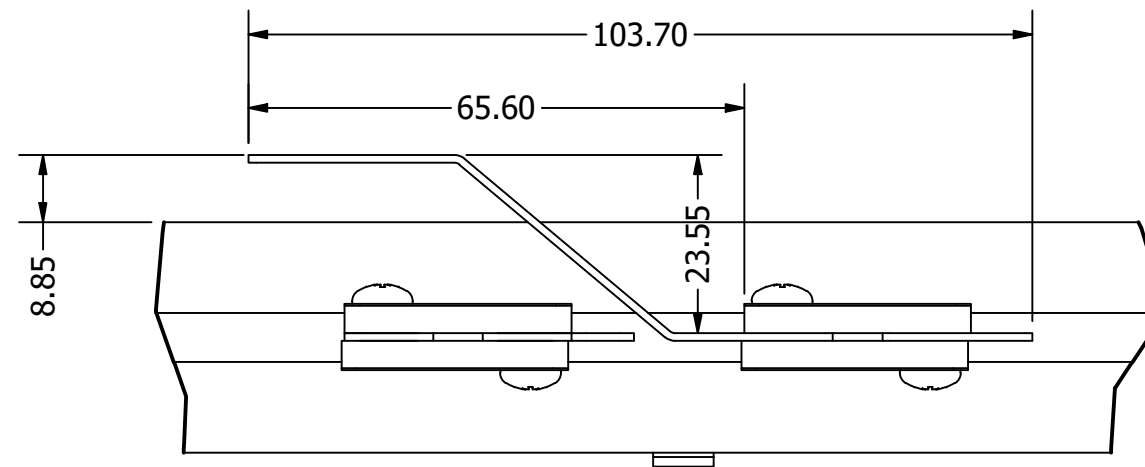
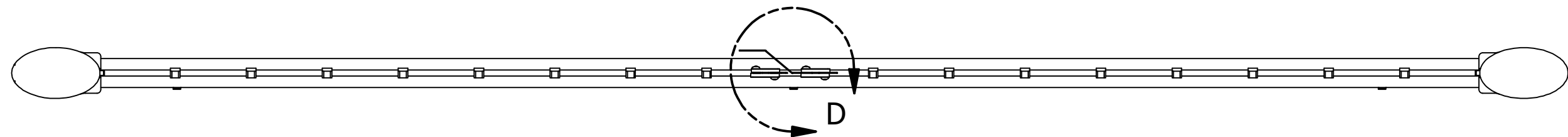


STANDARD GLIDER DETAIL
SCALE 1/1



OVERLAP ARM DETAIL
SCALE 1/1

