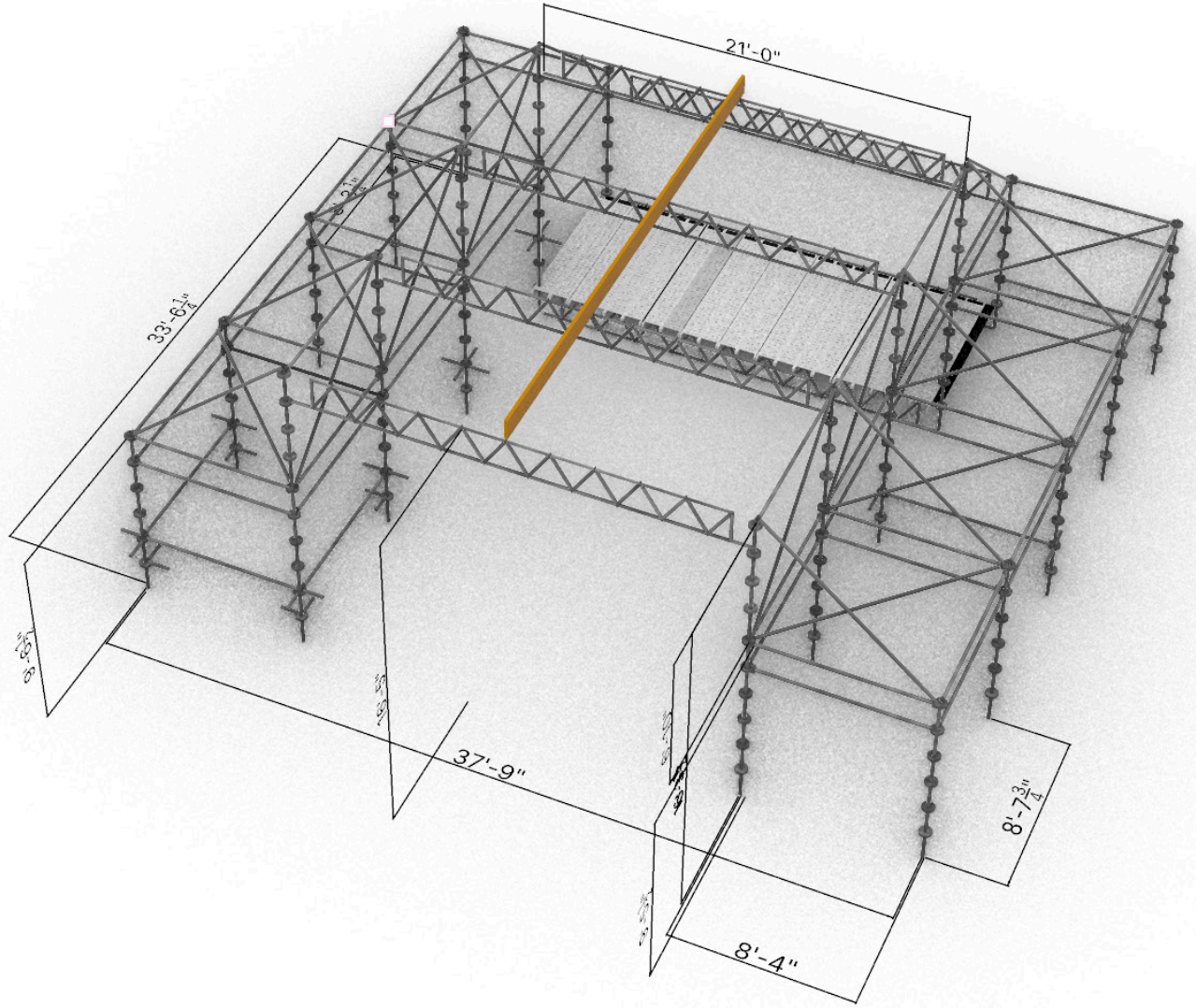
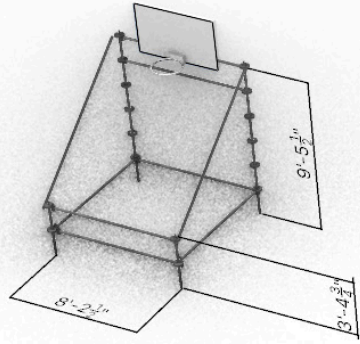


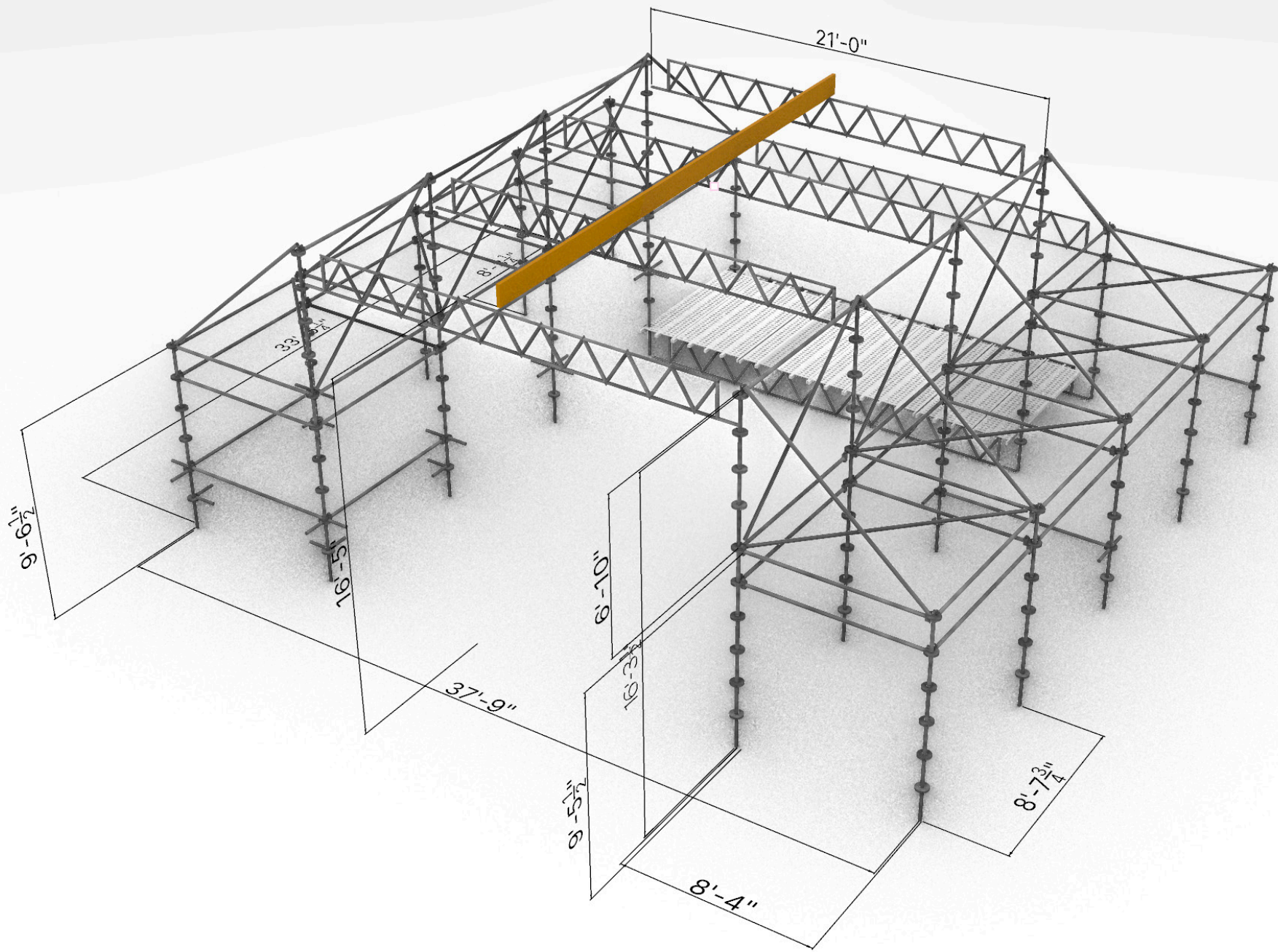
SHADE

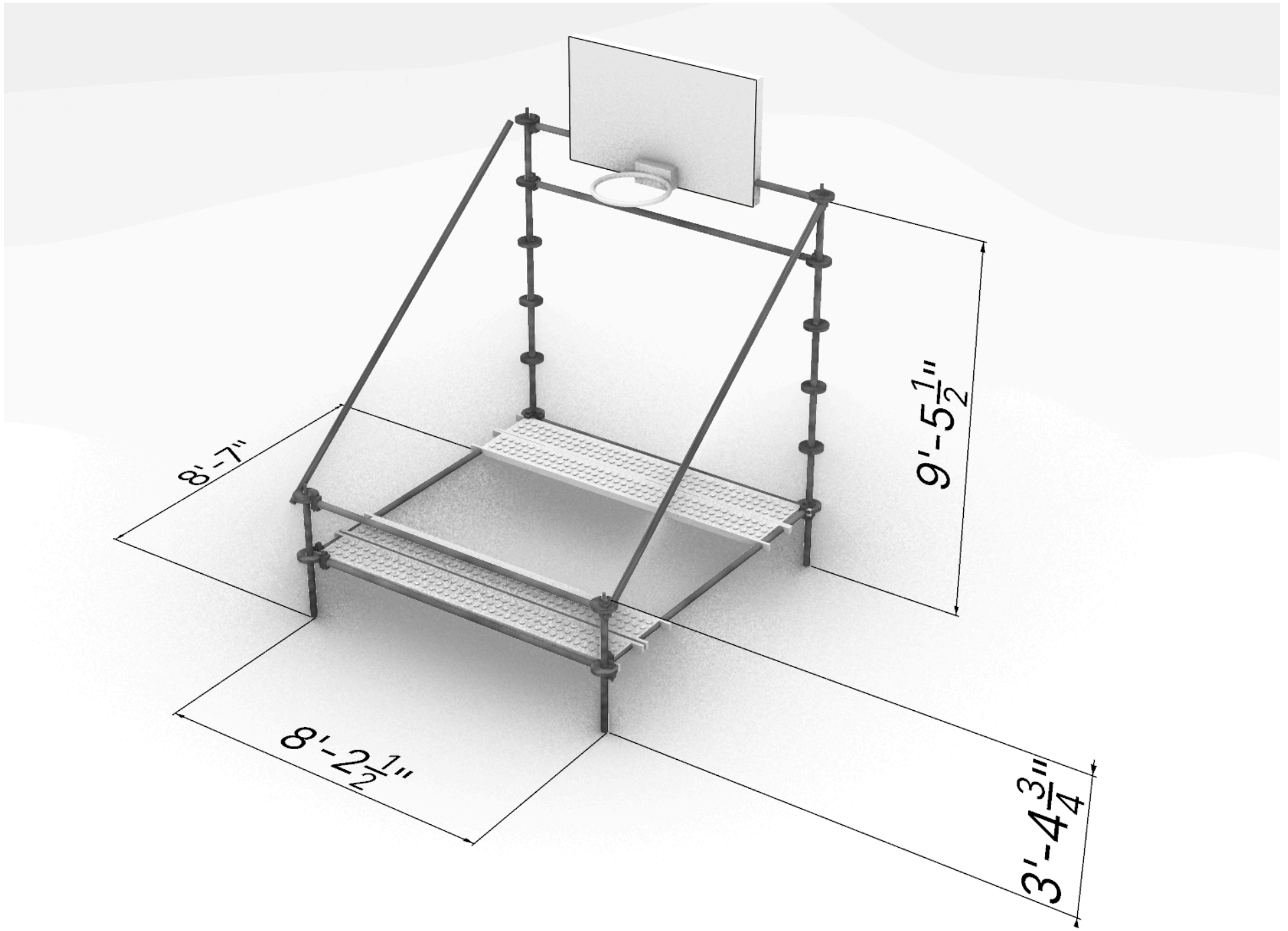
BUILDINGWAYS LLC
Jeff Goldenson
617.909.2917
jeff@buildingways.com
buildingways.com



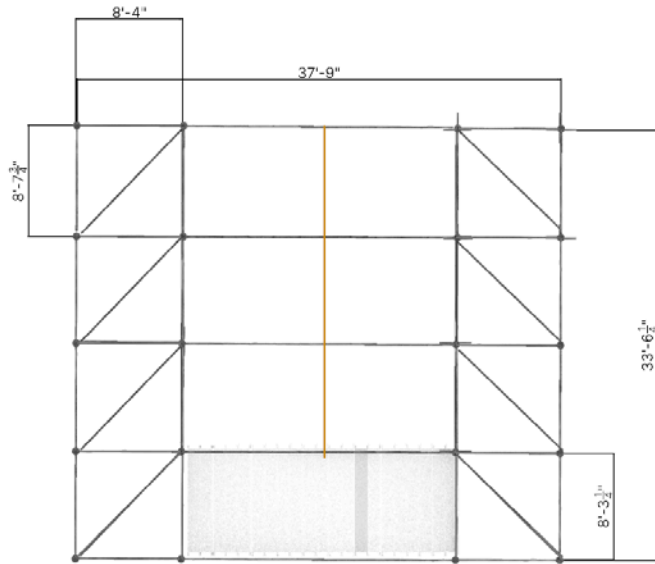
Donnelly Field, Cambridge



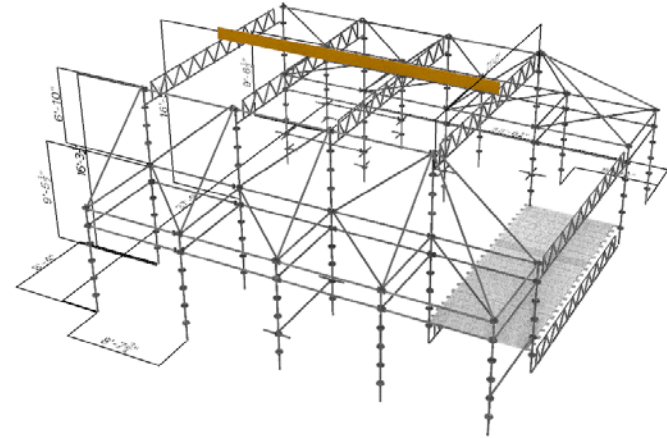




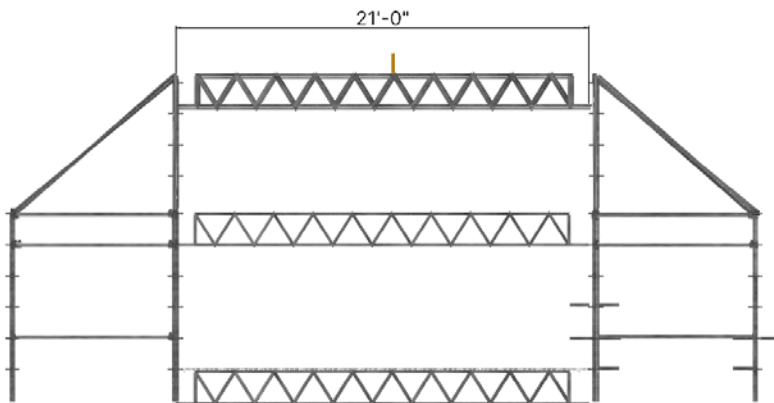
Top ▾



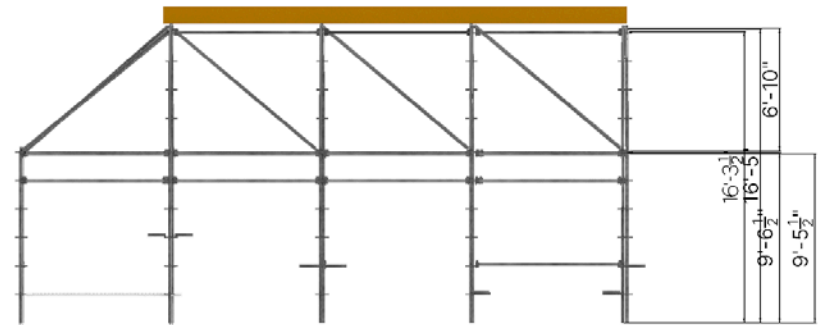
Perspective ▾

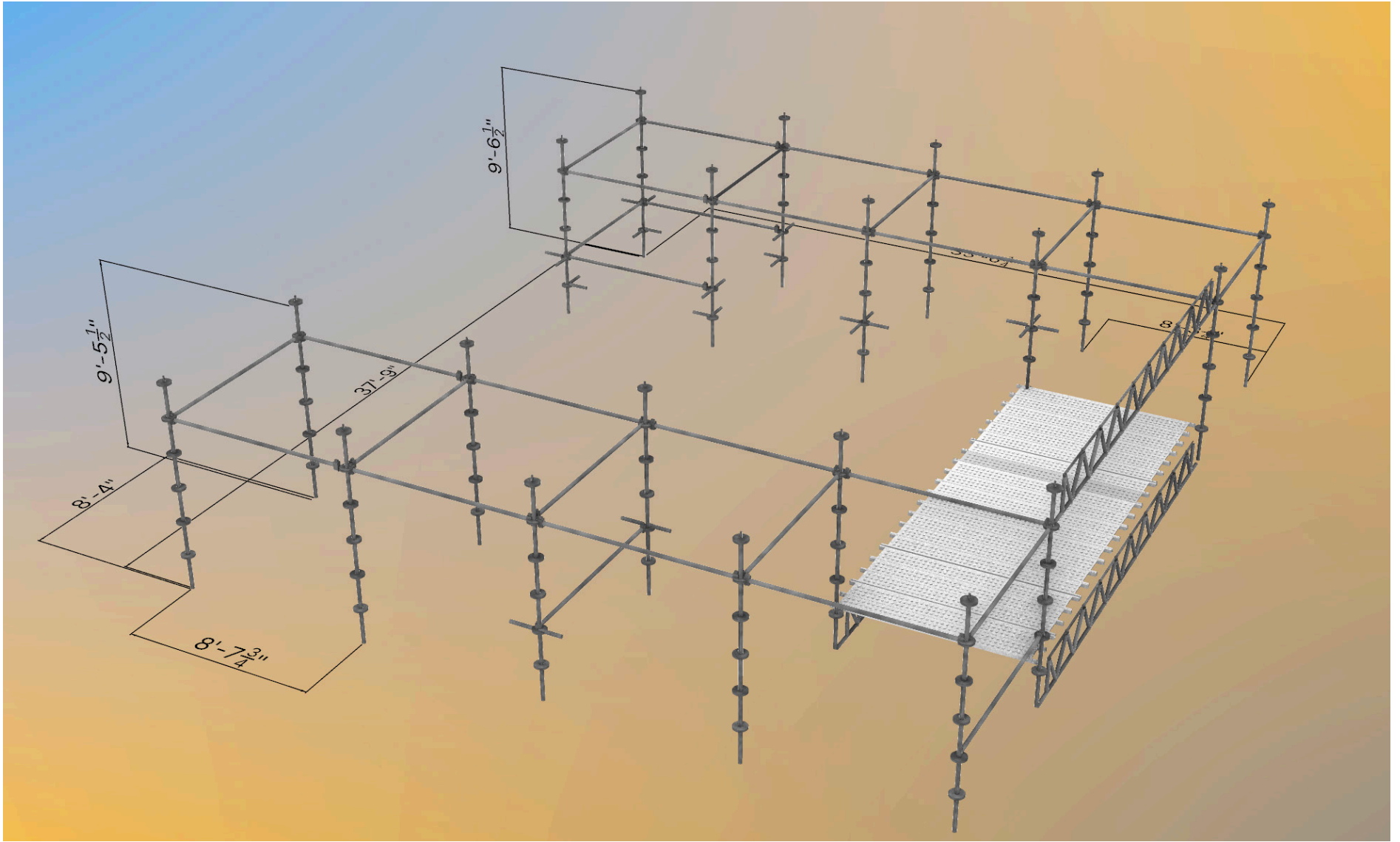


Front ▾

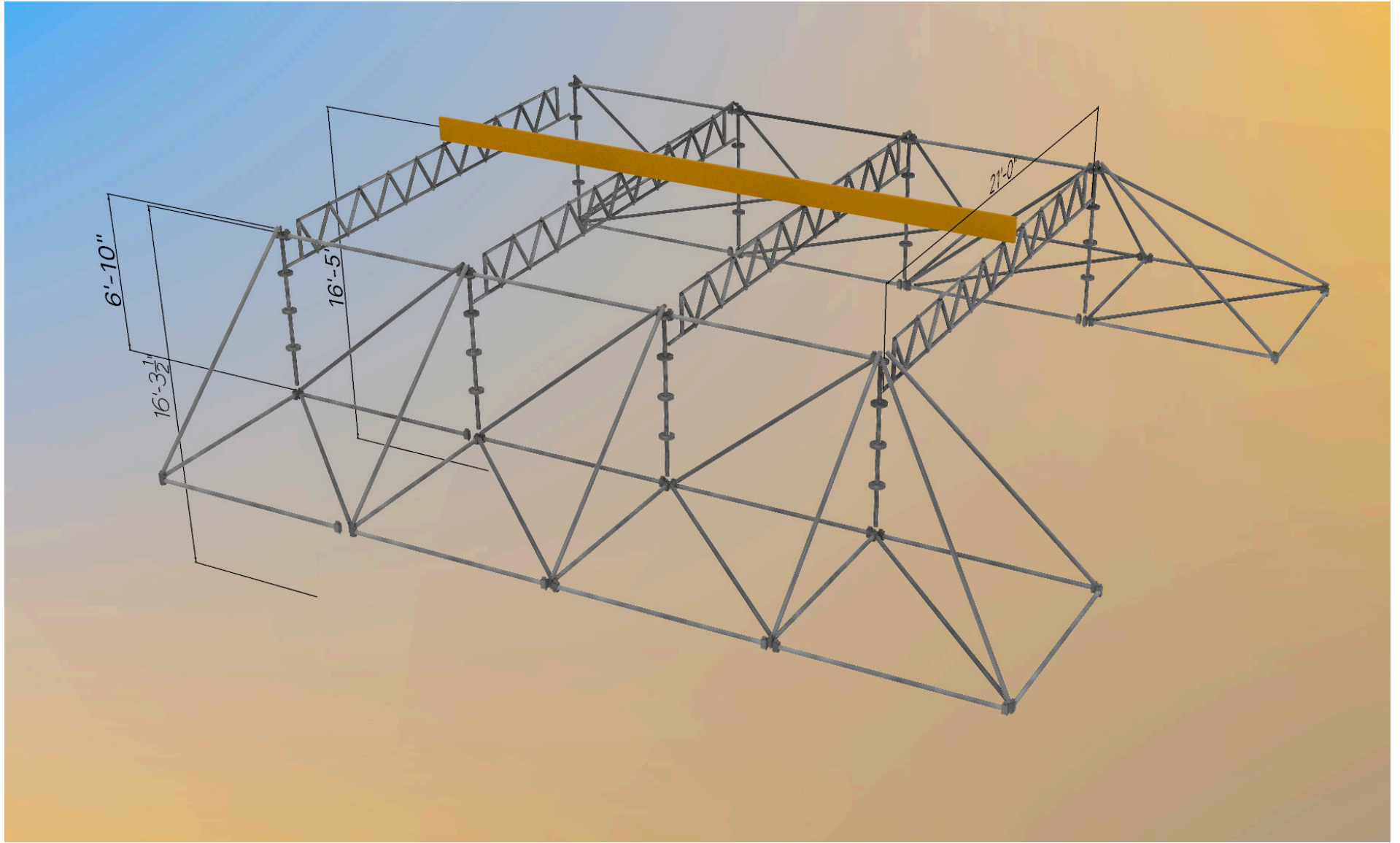


Right ▾

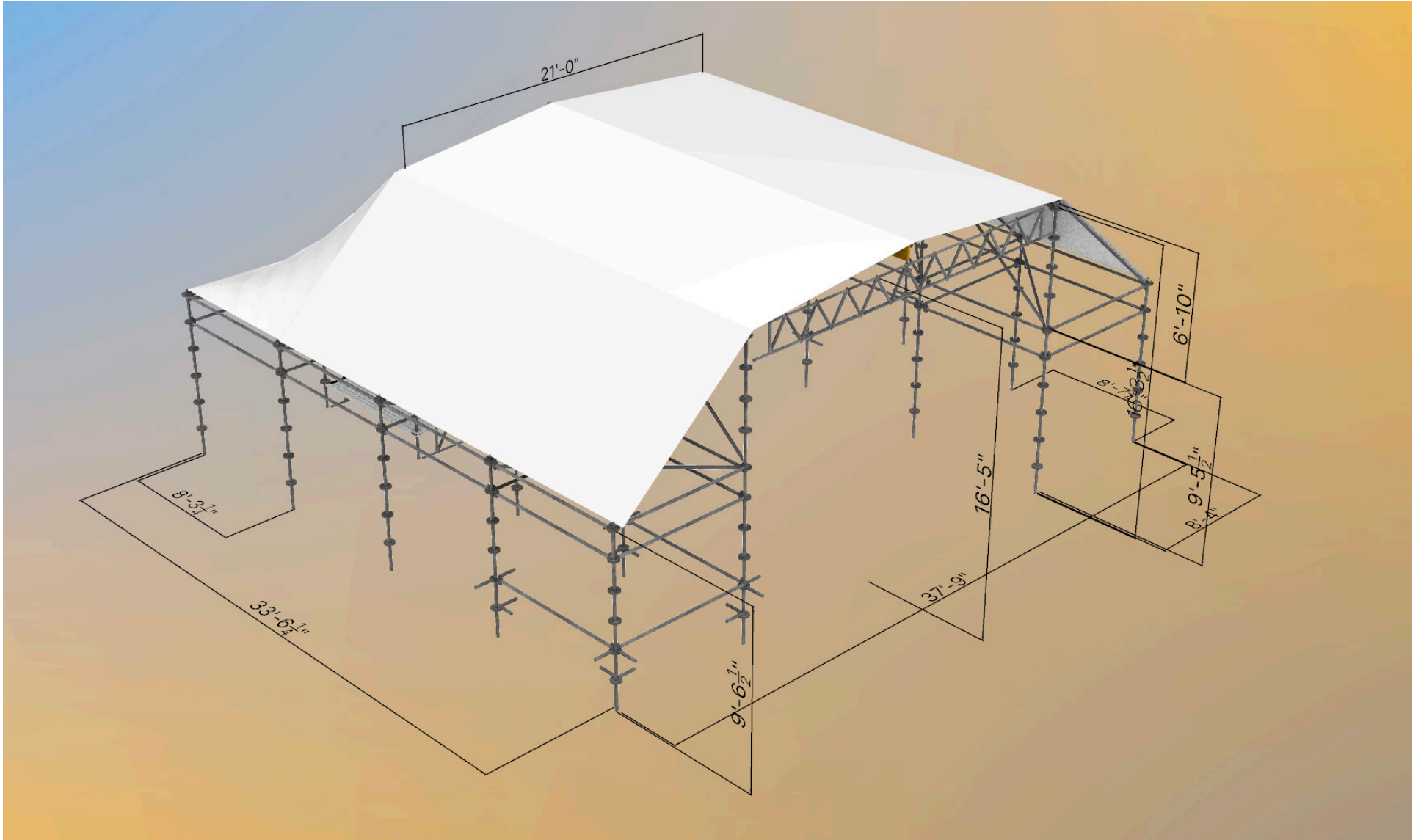




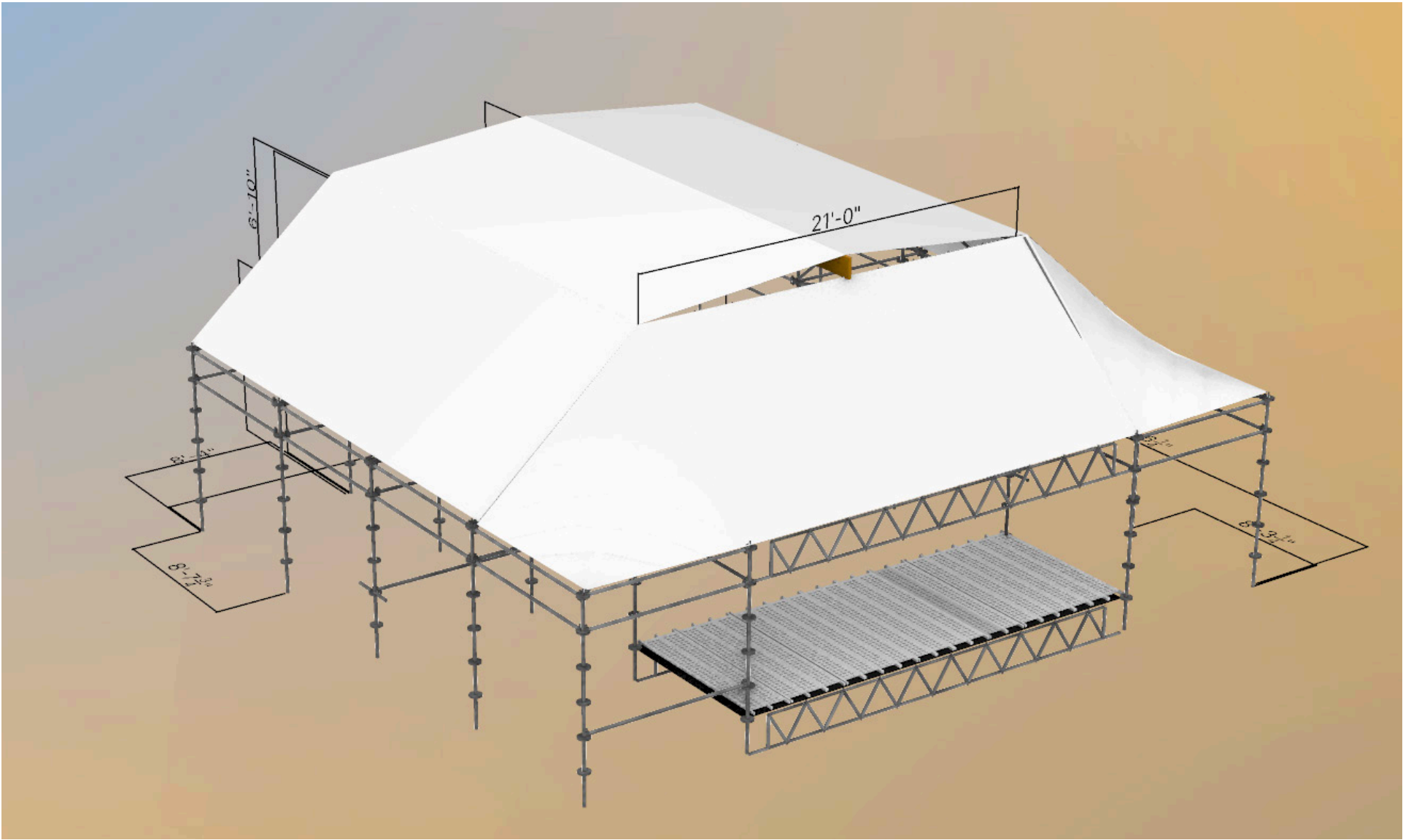
1st Floor



2nd Floor



Shrink Wrap Roof





Full Fit Out