

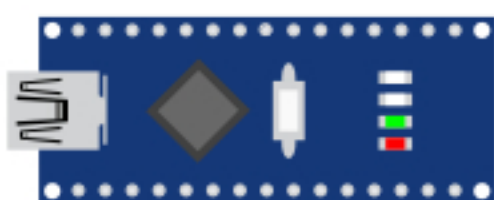
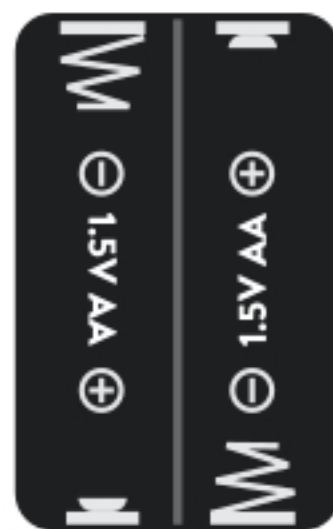
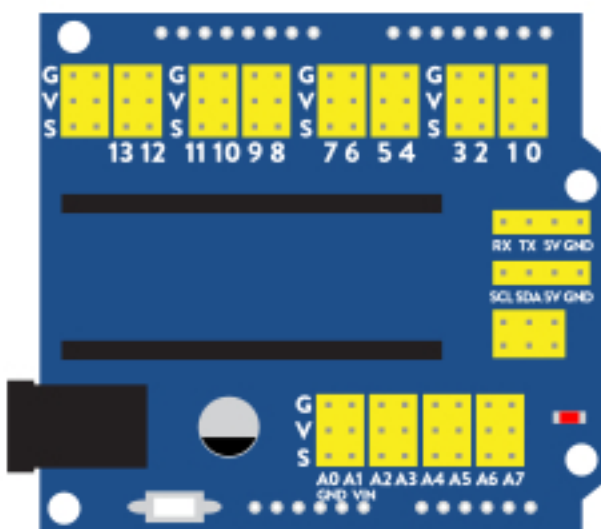
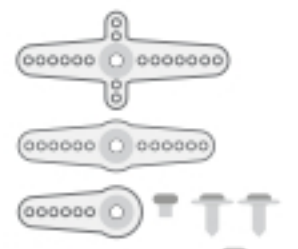
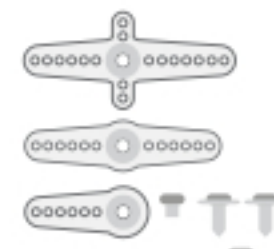
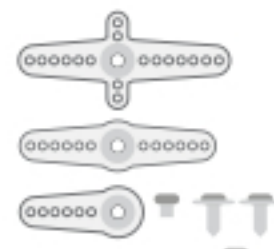
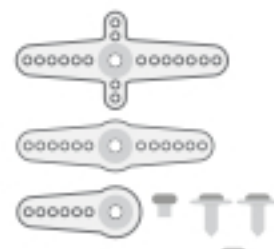
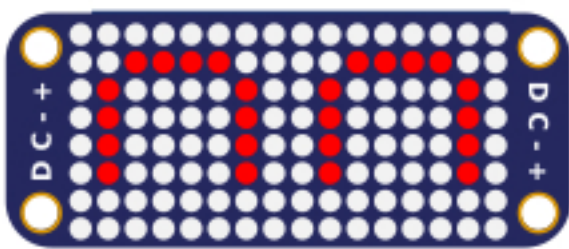
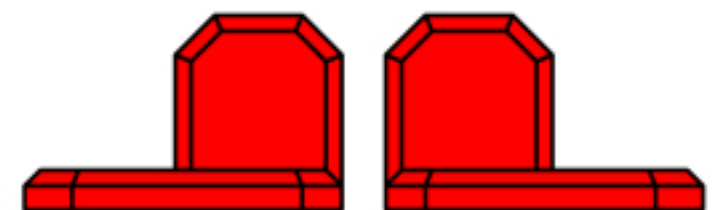
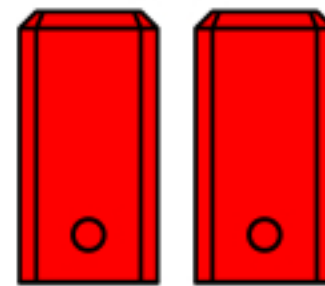
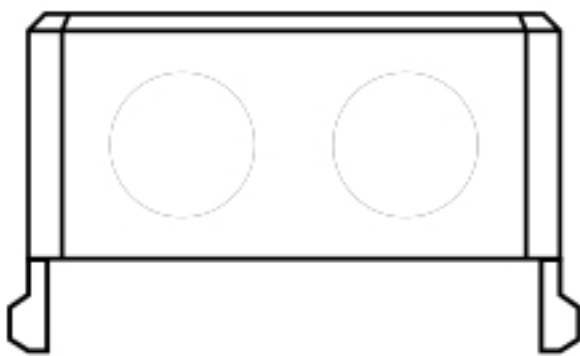


# Otto DIY builder kit E

 beginner

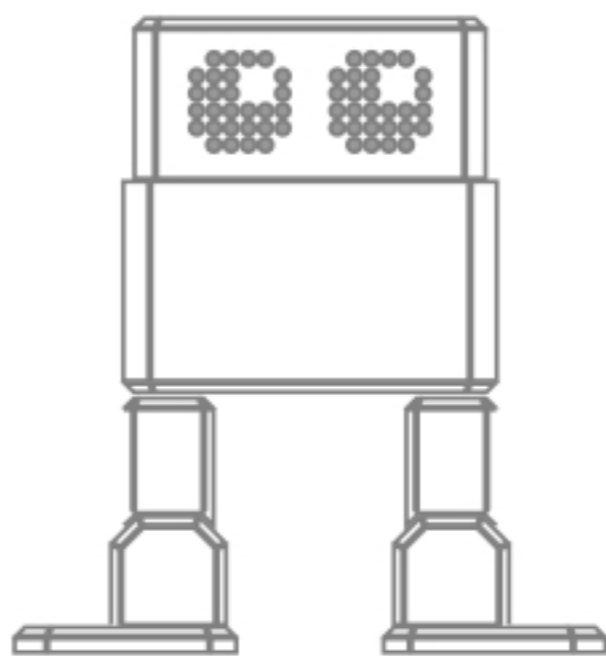
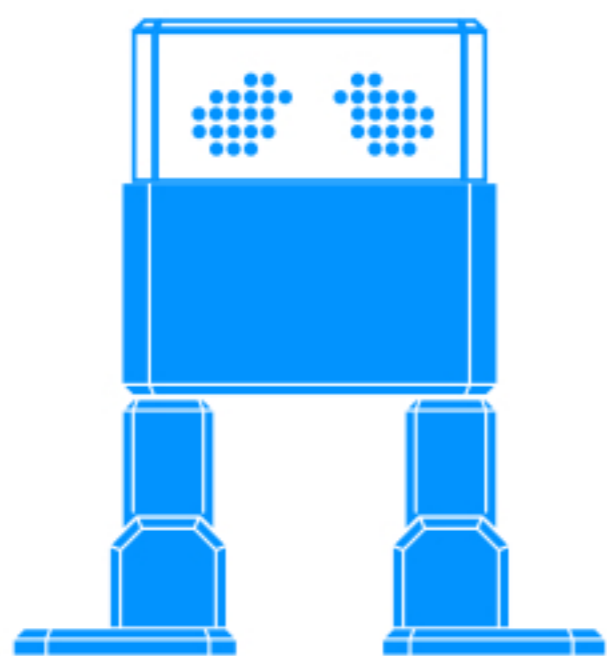
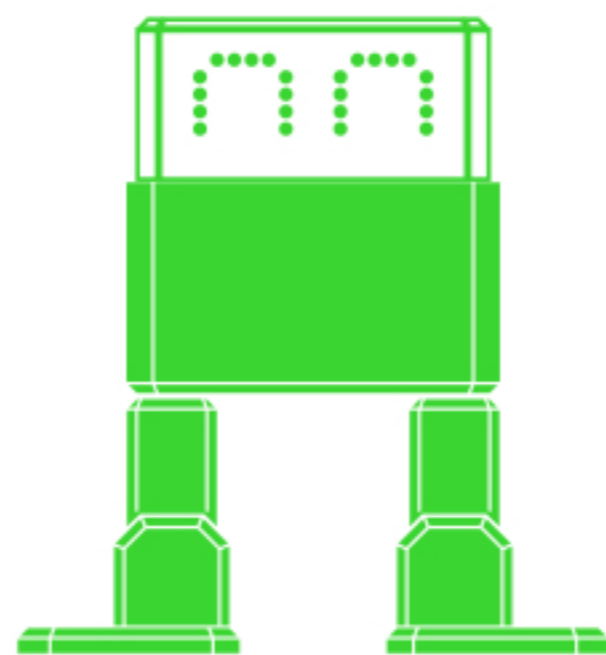
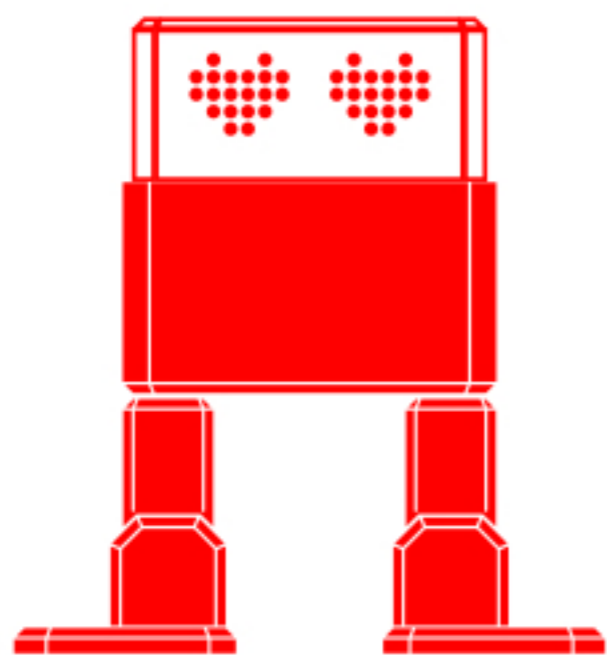


Version 9



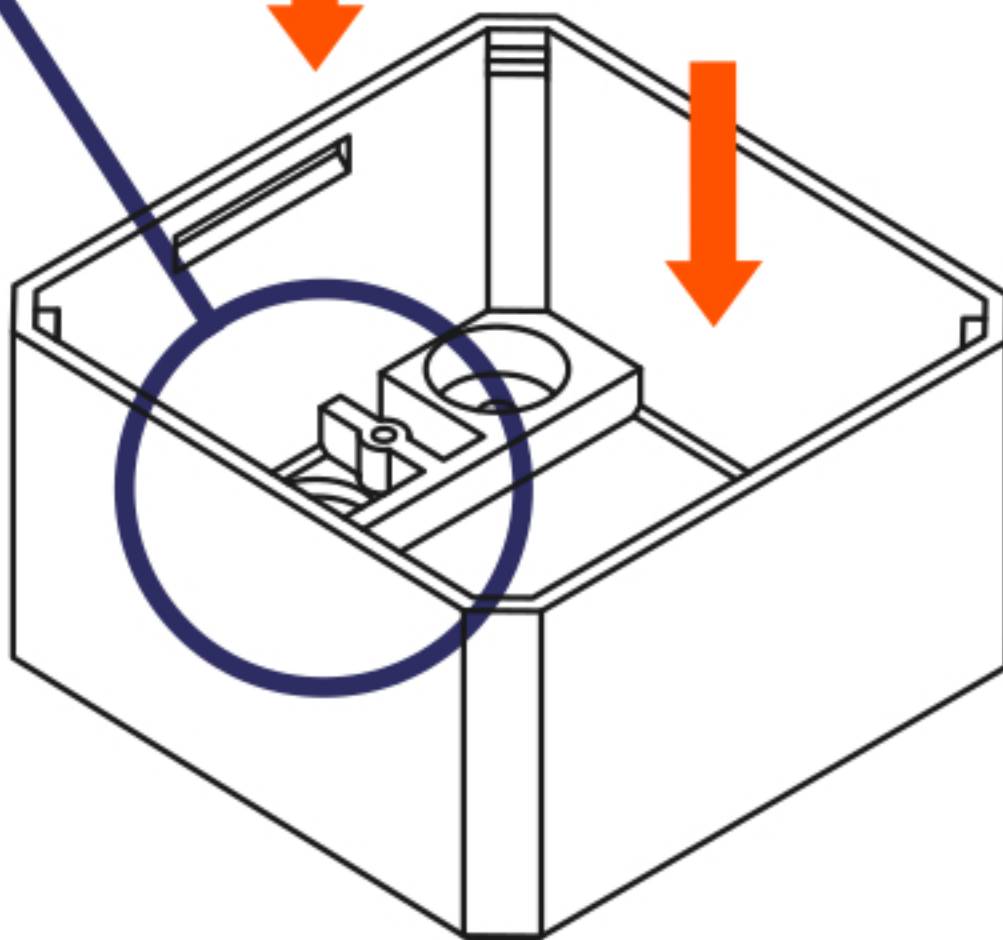
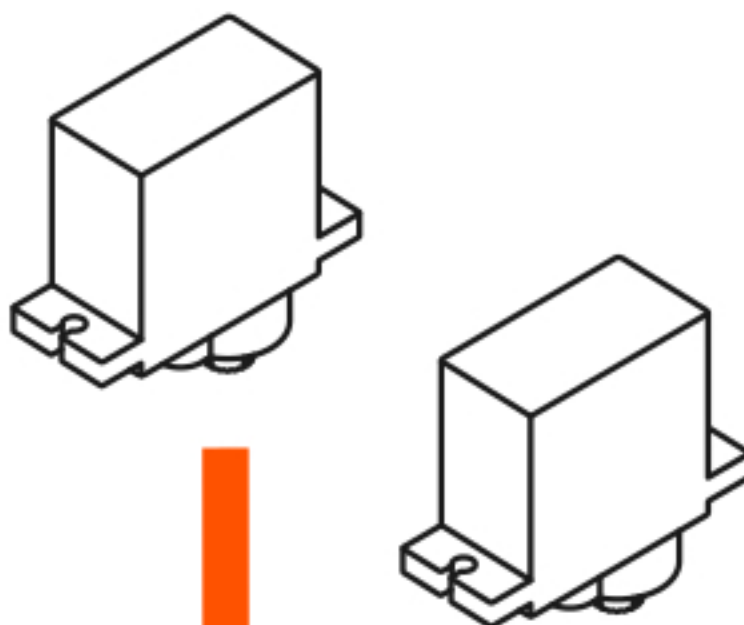
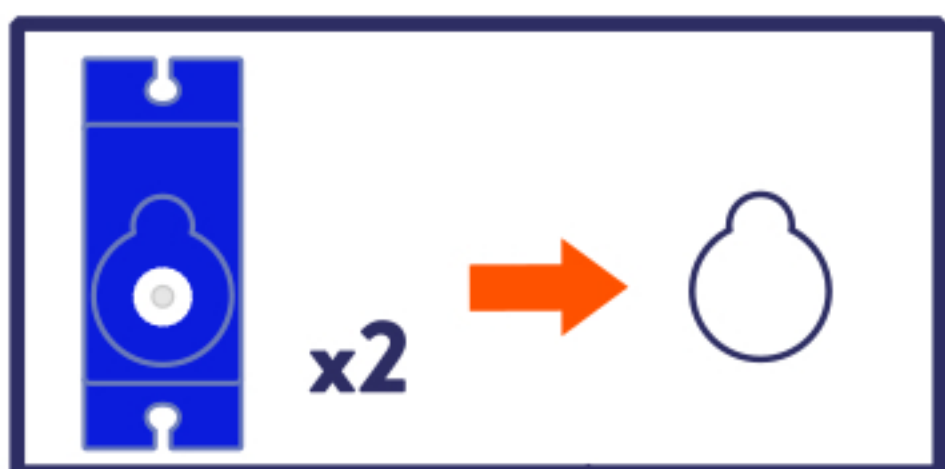
**WARNING: CHOKING HAZARD**  
Small parts: NOT for children under 3 years





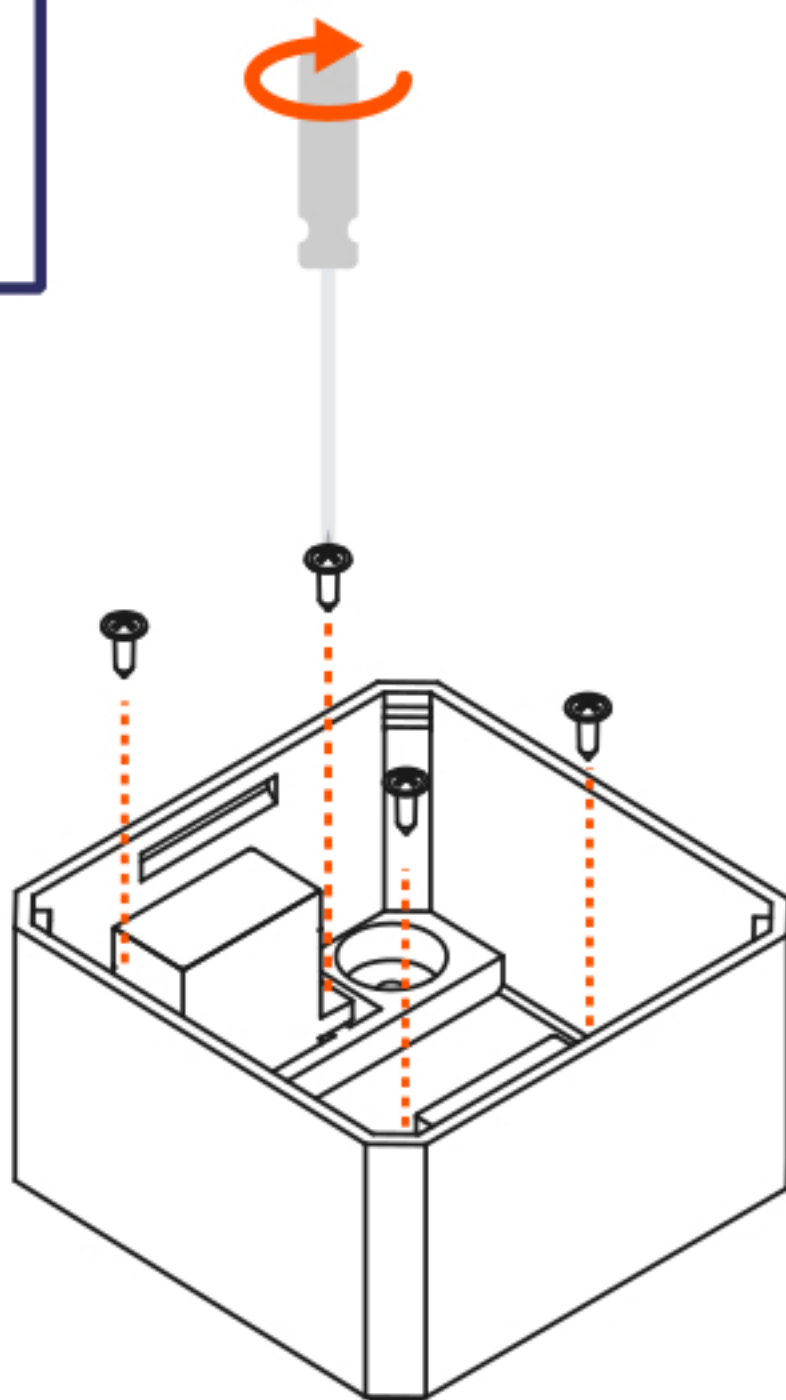


1



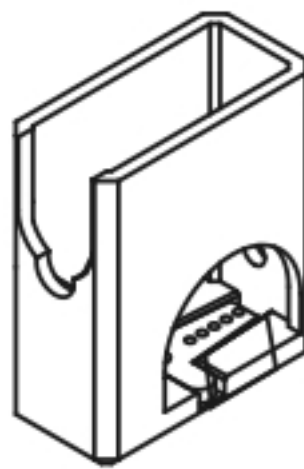
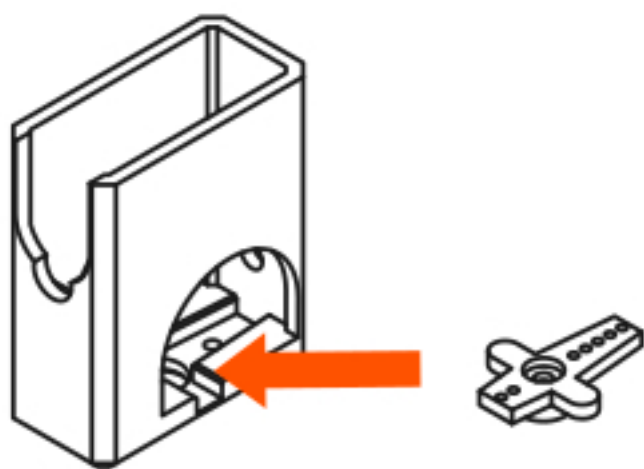
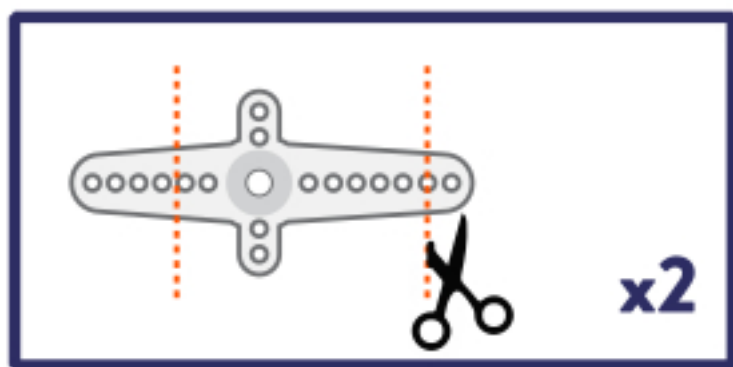


# 2



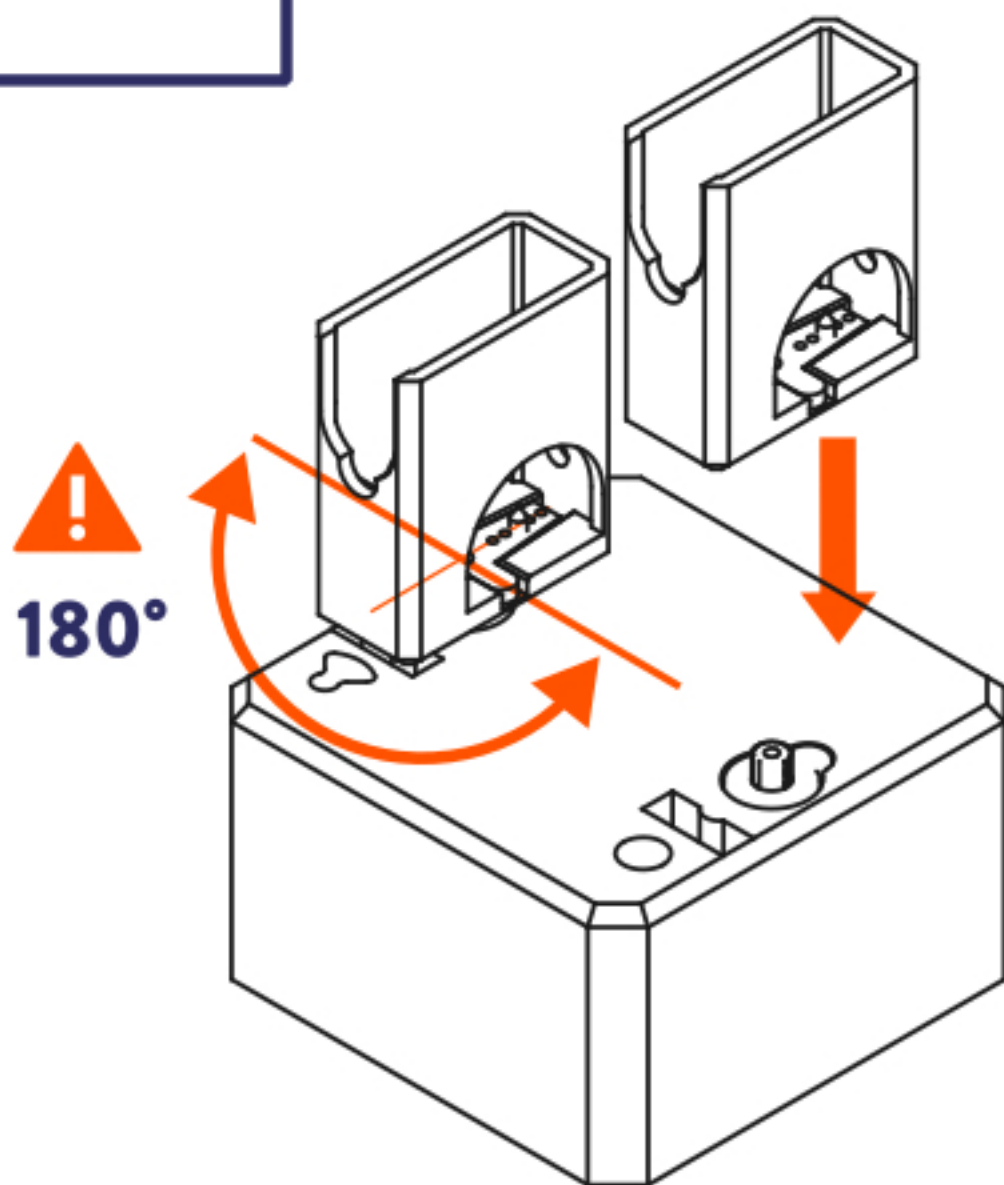
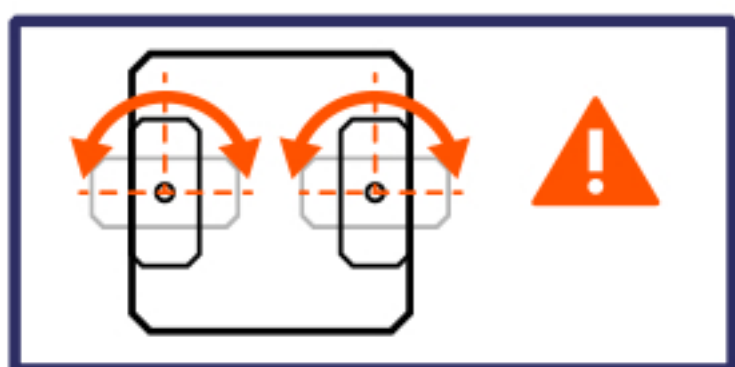


# 3



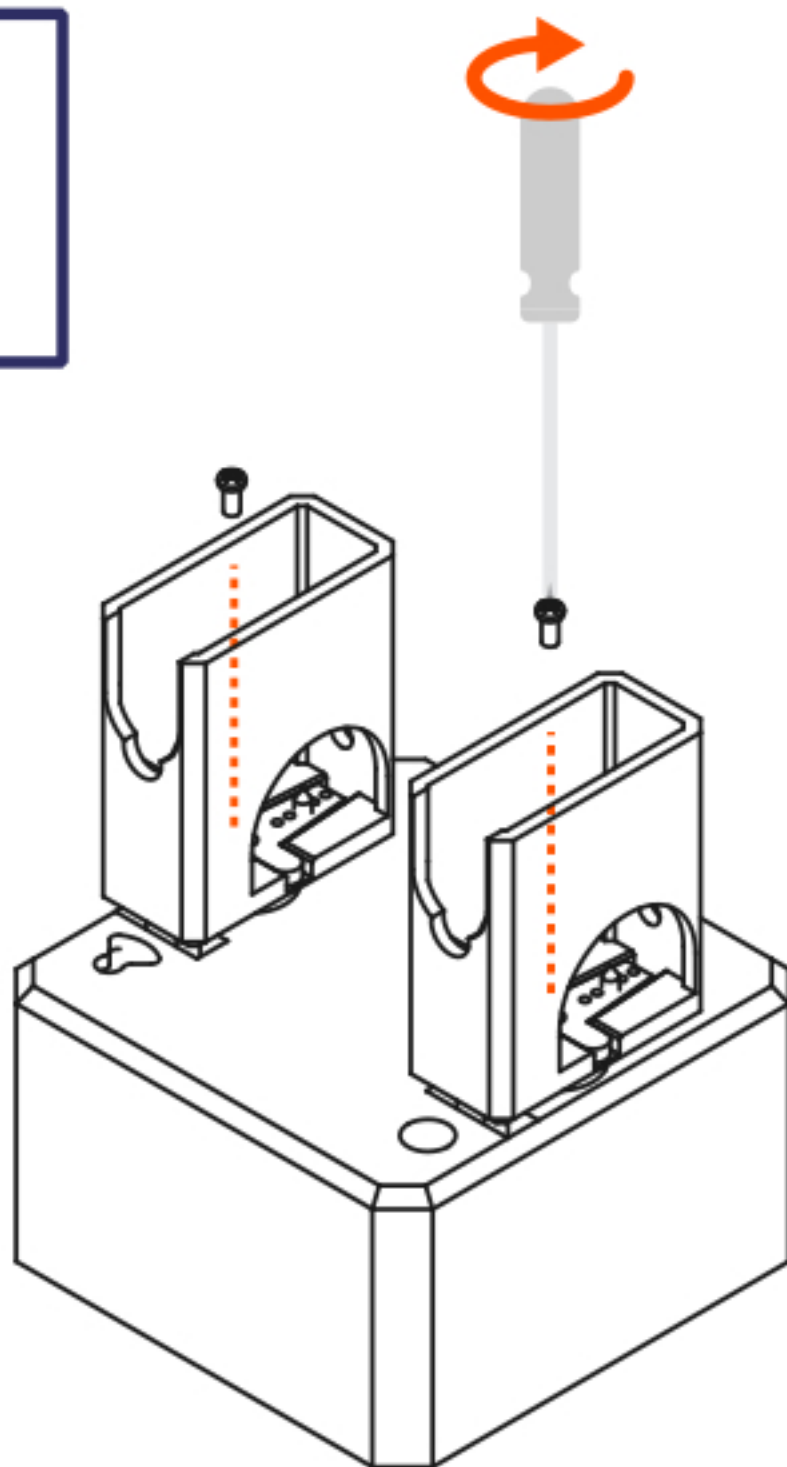
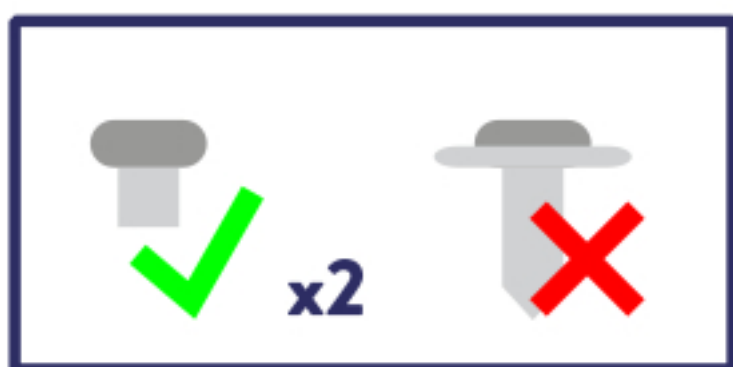


# 4



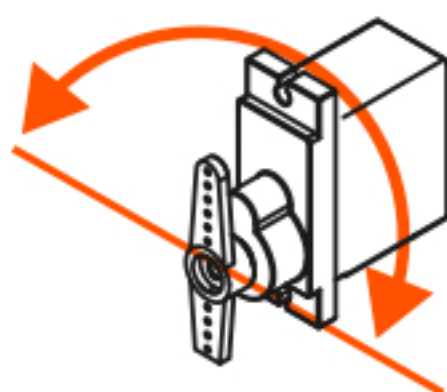
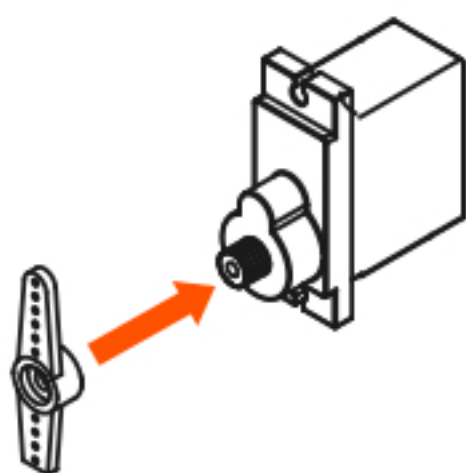
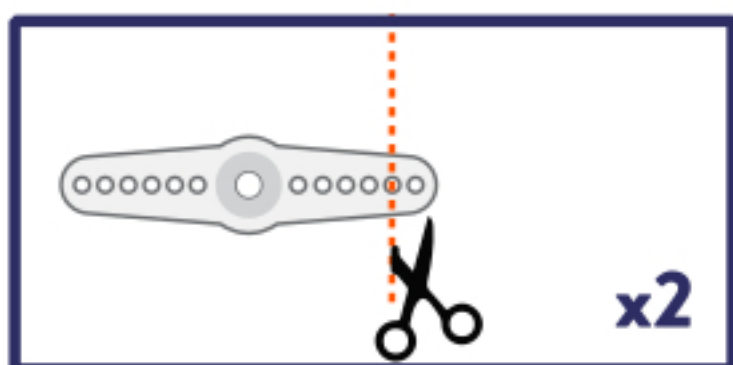


# 5





# 6

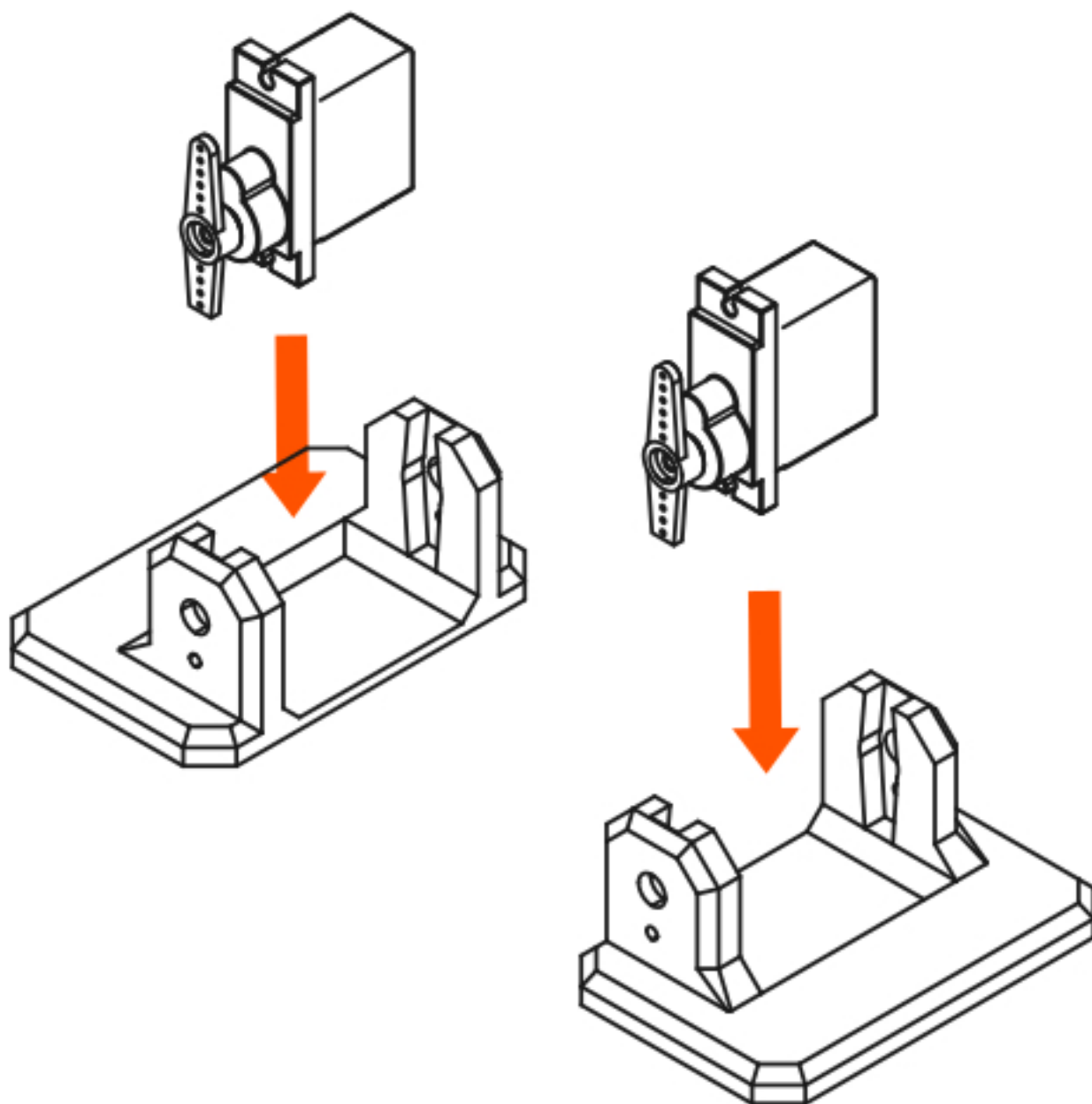


  
**180°**



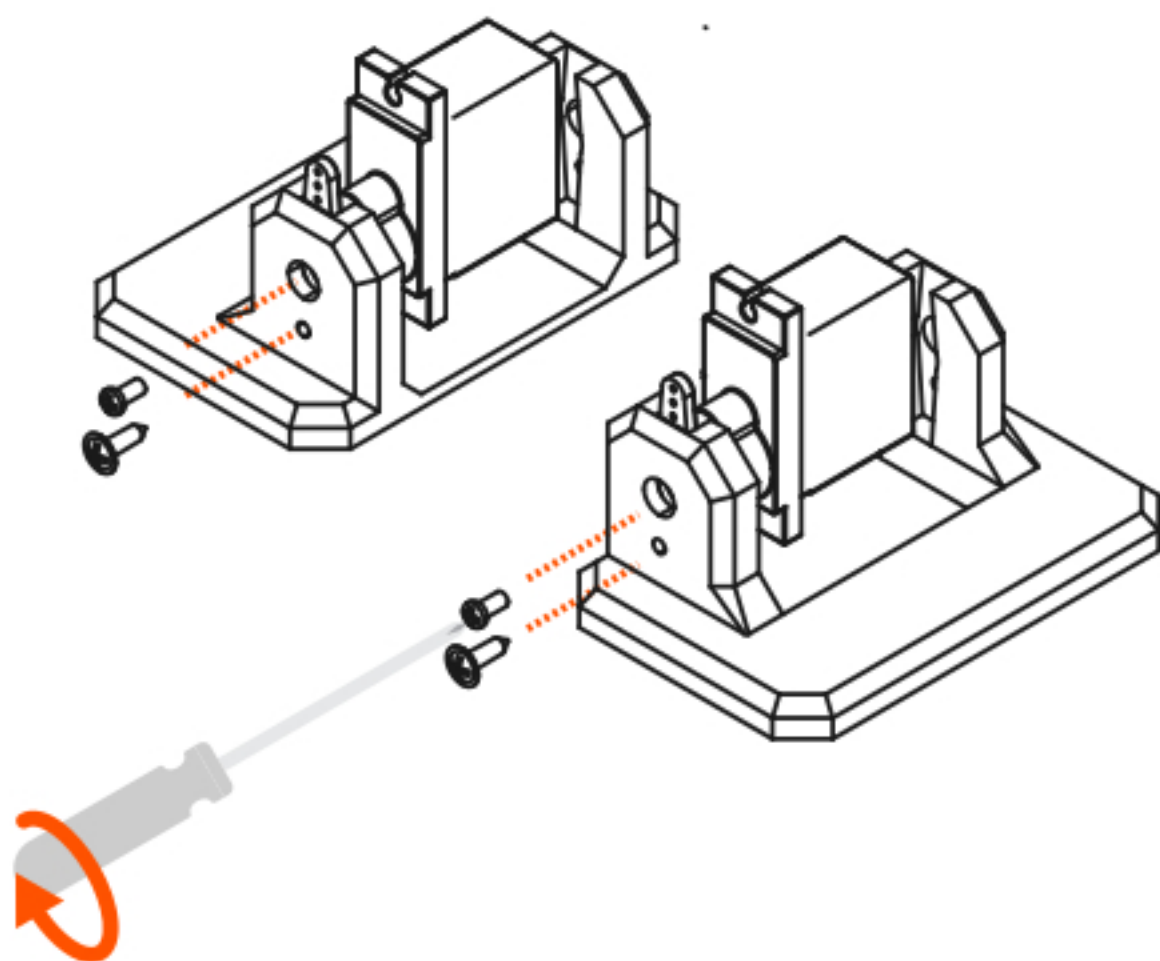


# 7



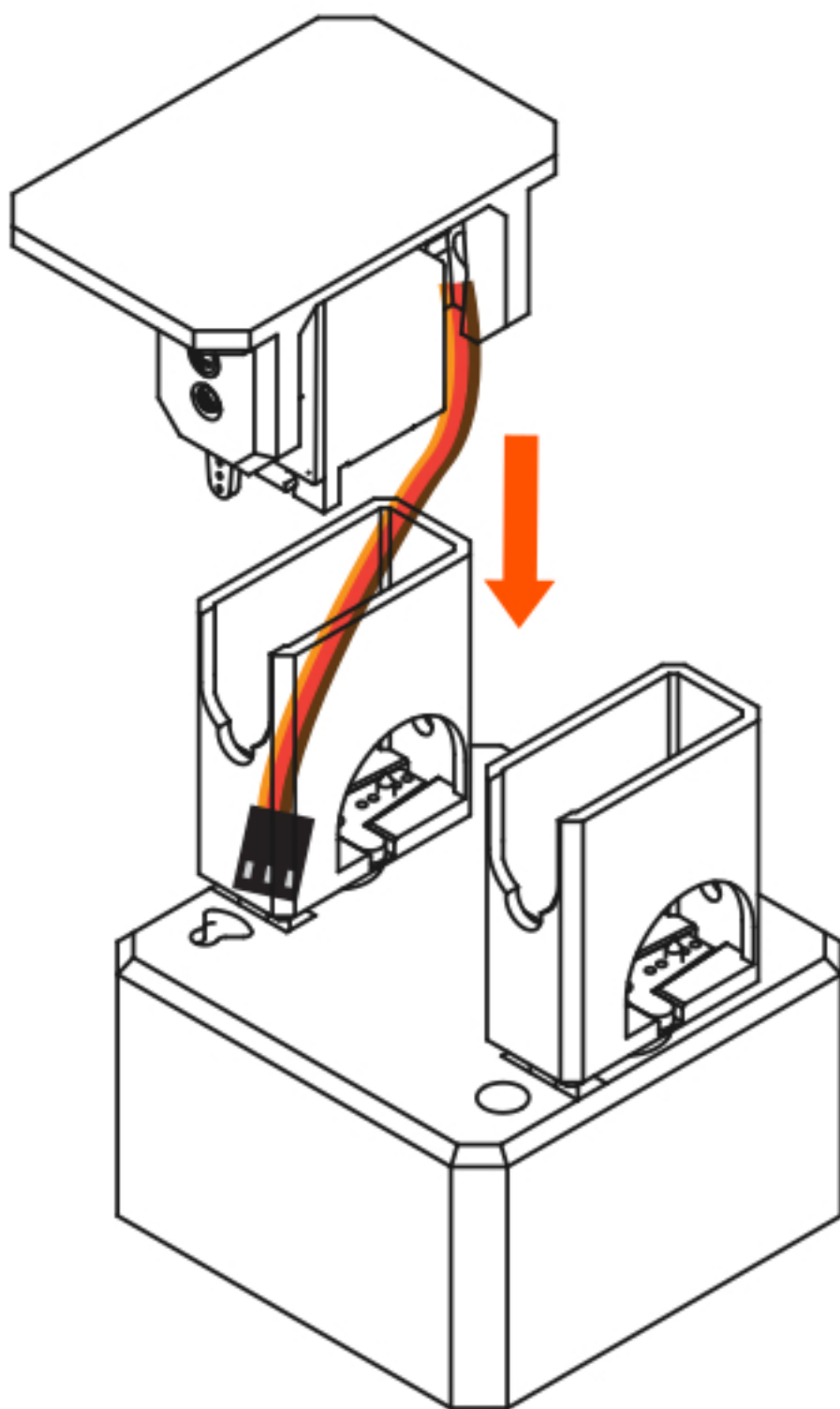


# 8



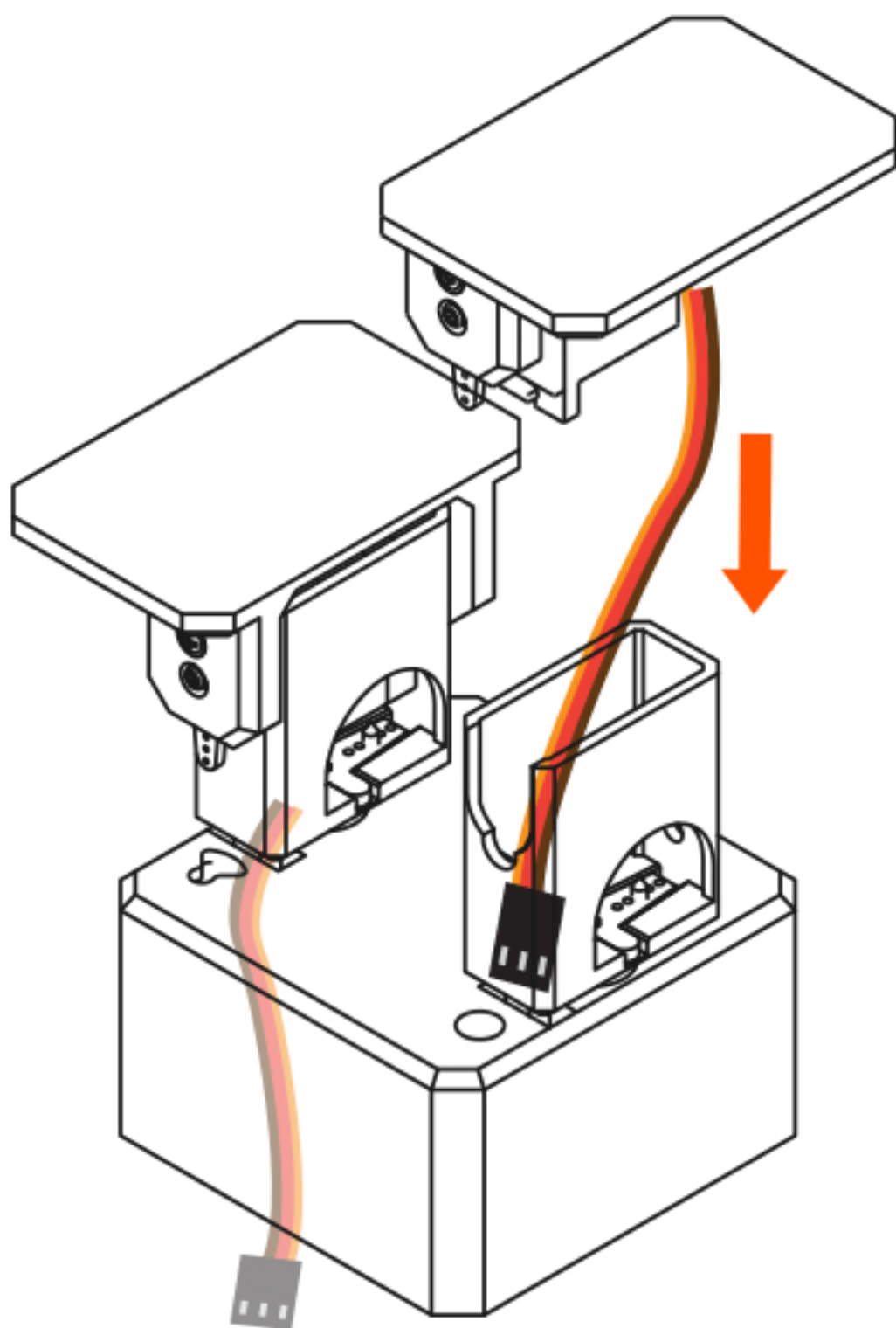


# 9



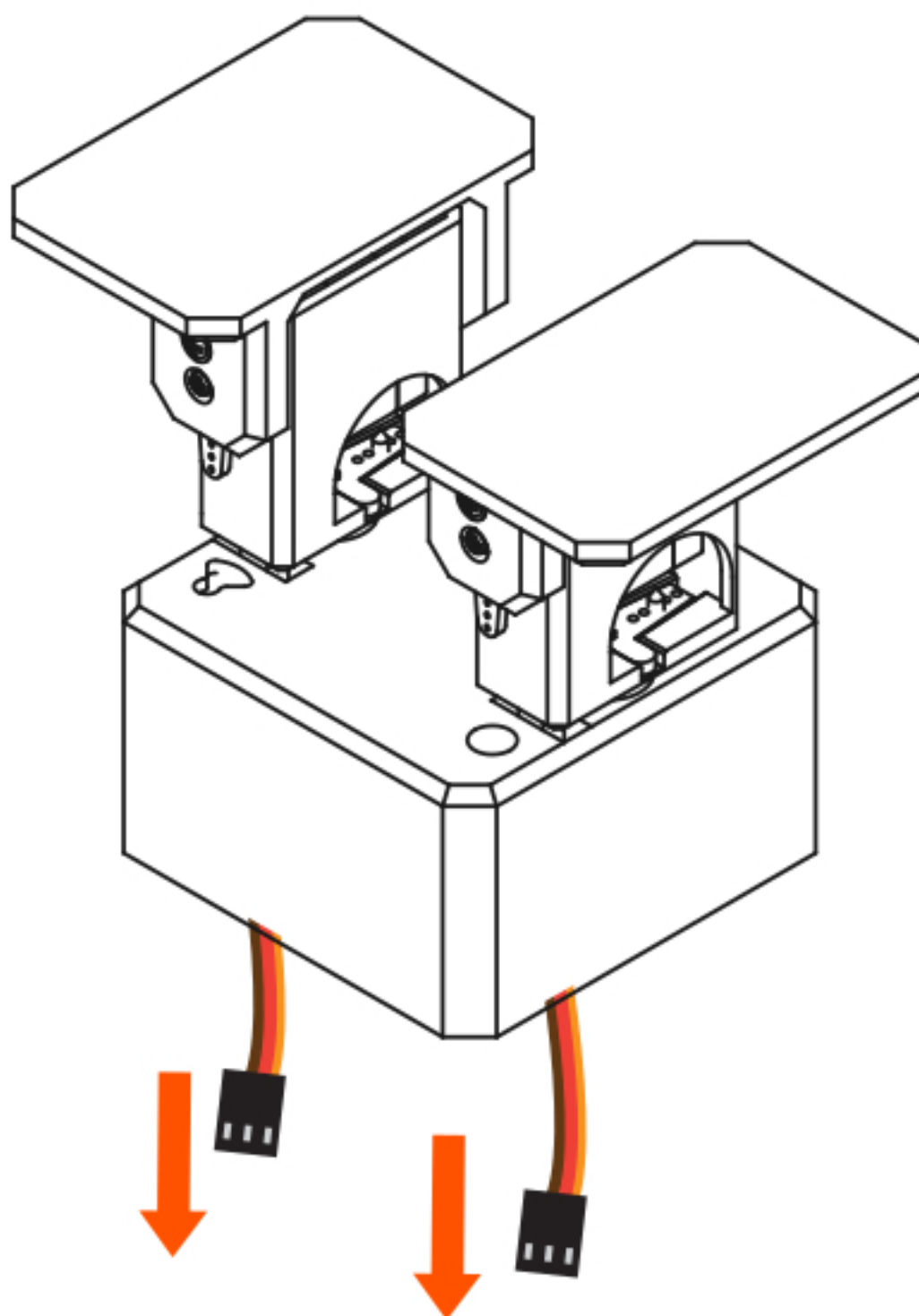


# 10



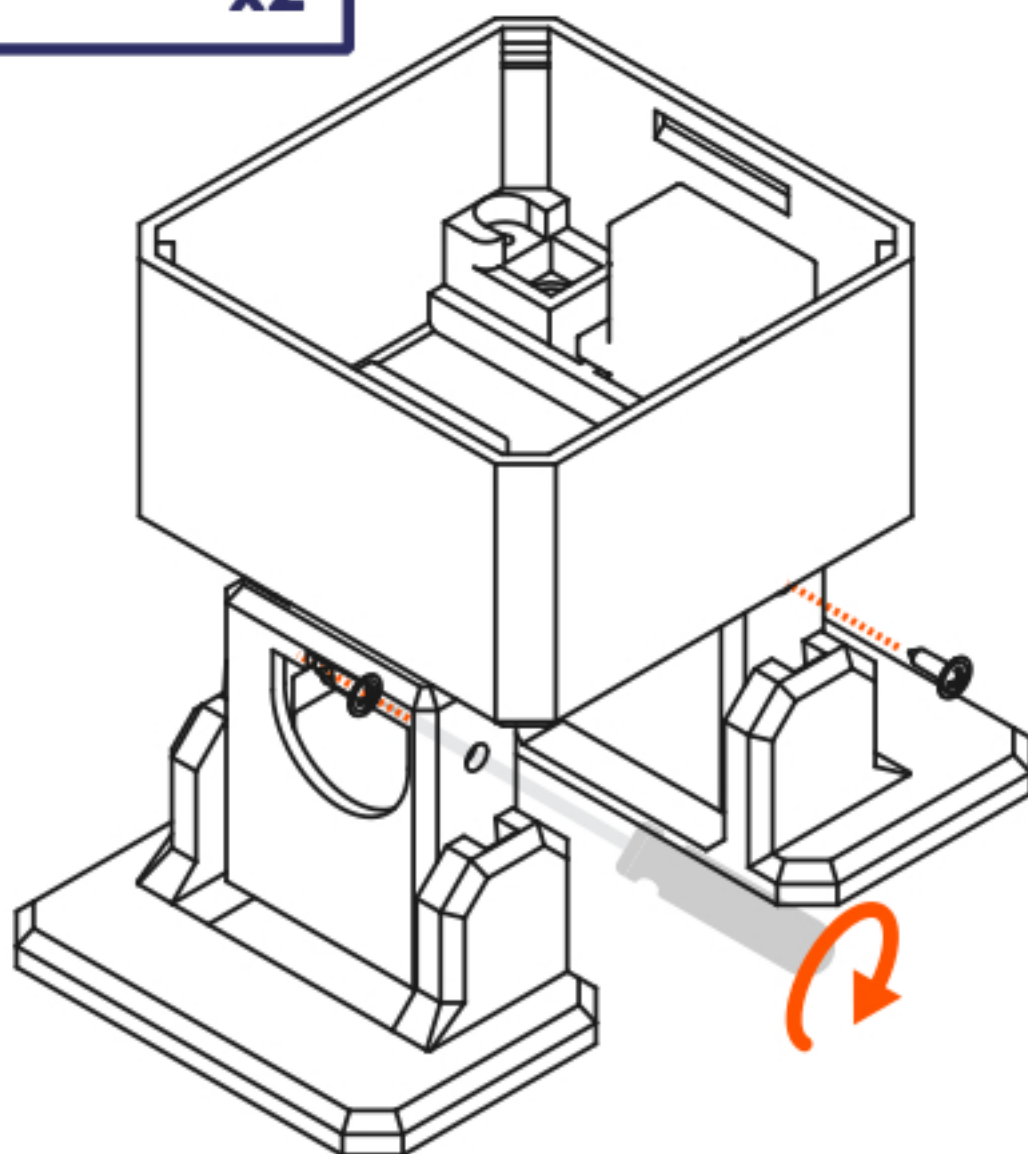
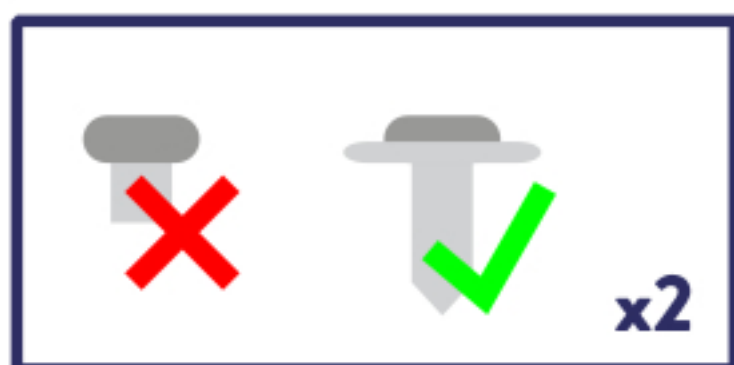


# 11



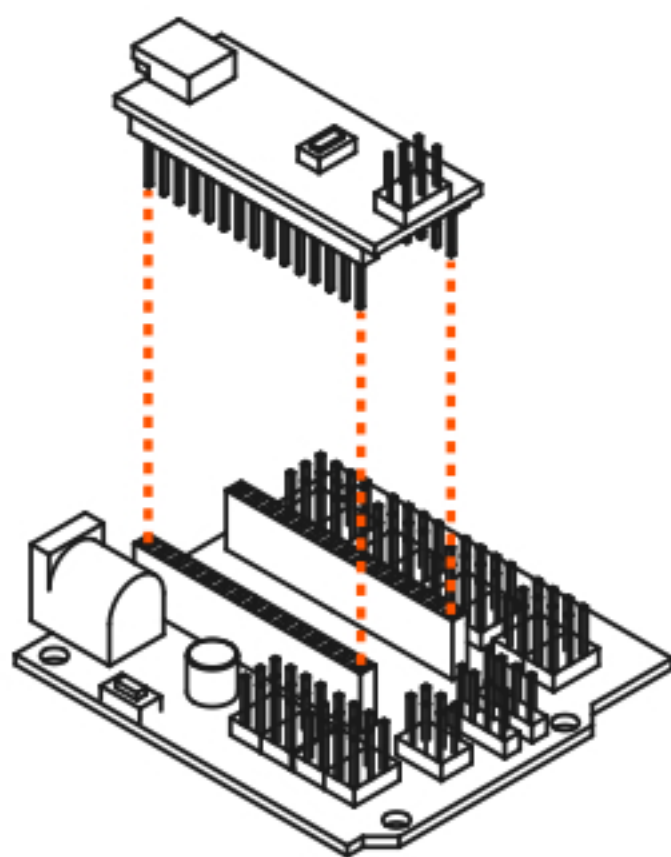


# 12





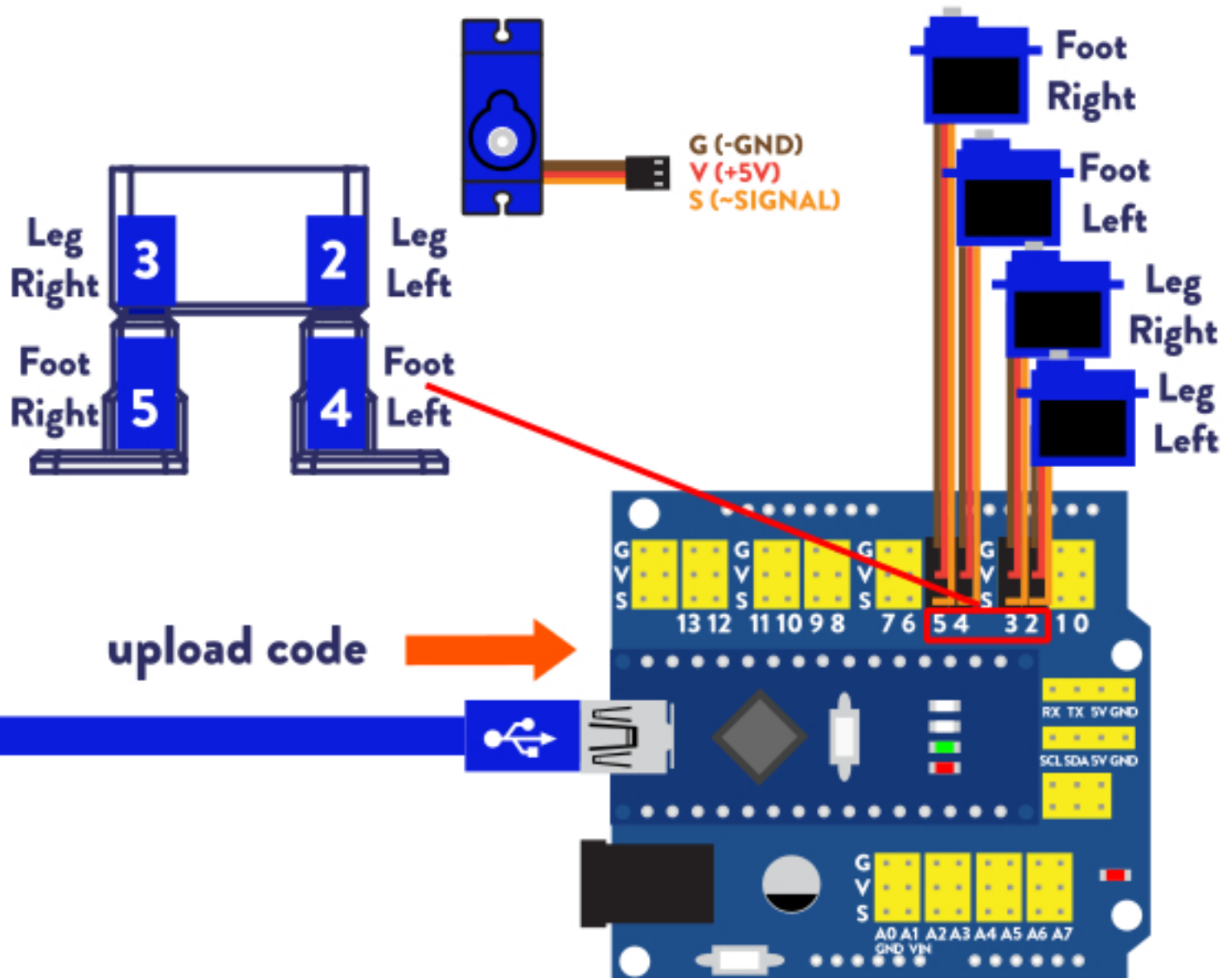
# 13





# 14

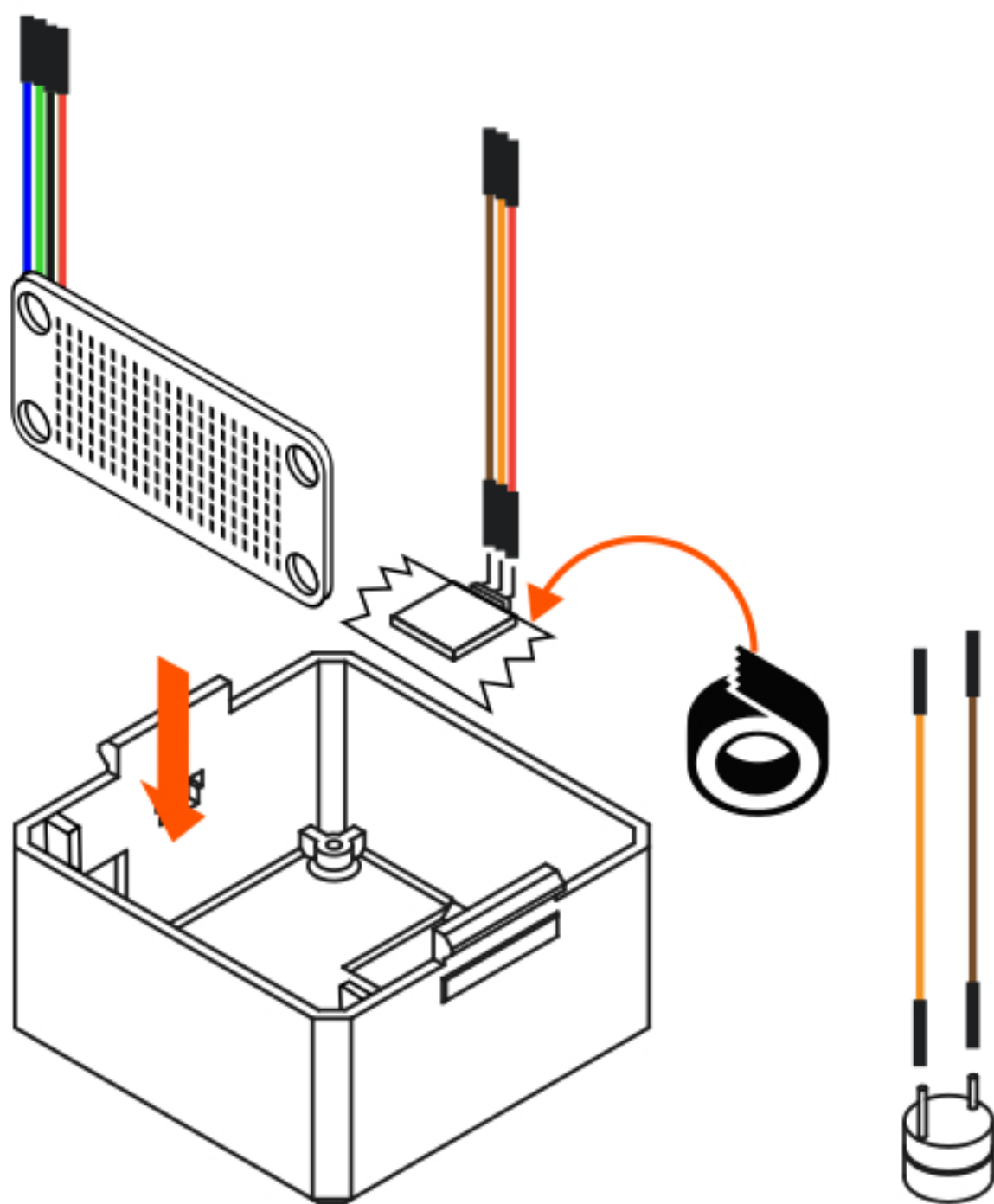
<https://wikifactory.com/+OttoDIY/eyes>





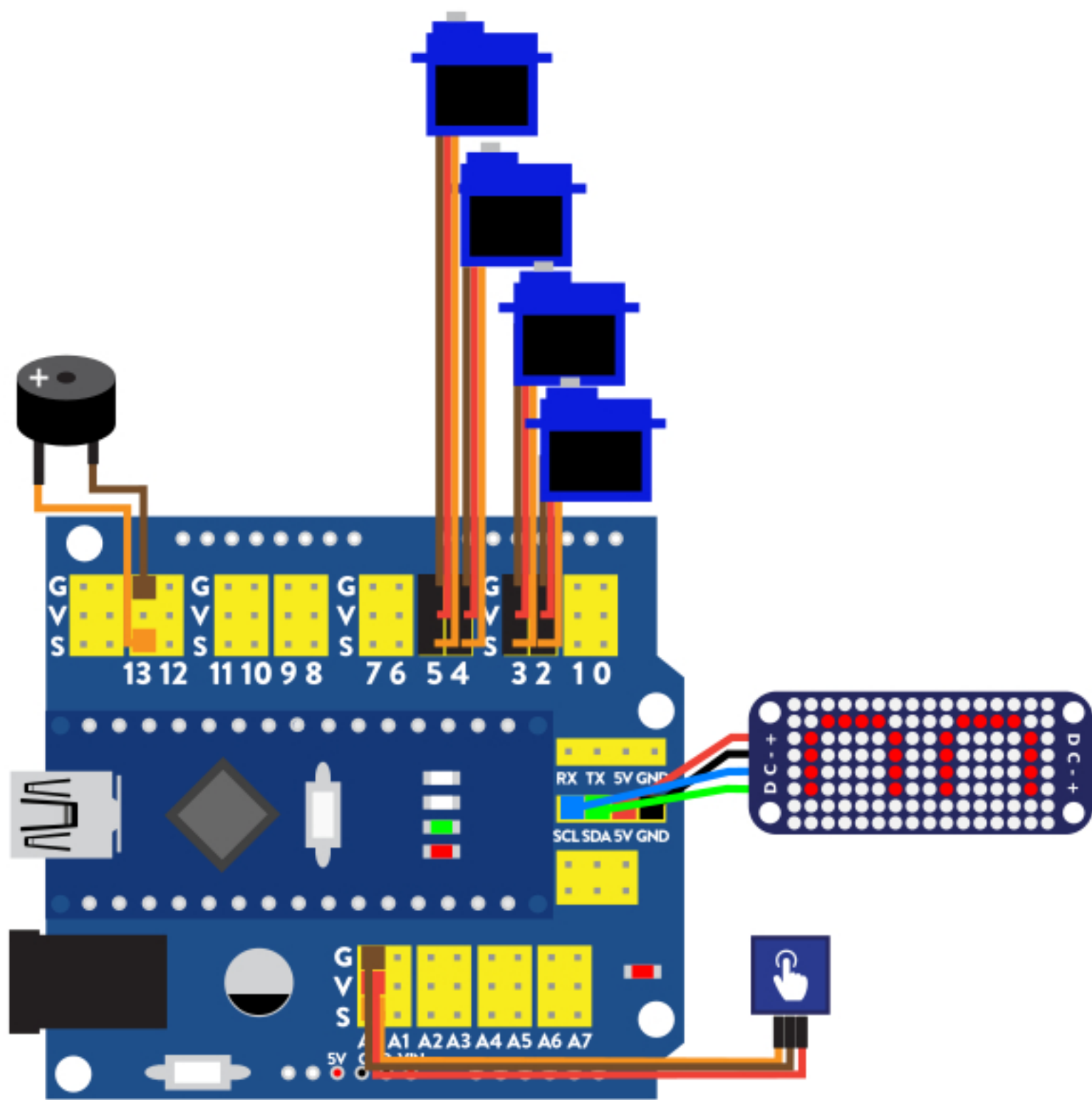


# 15



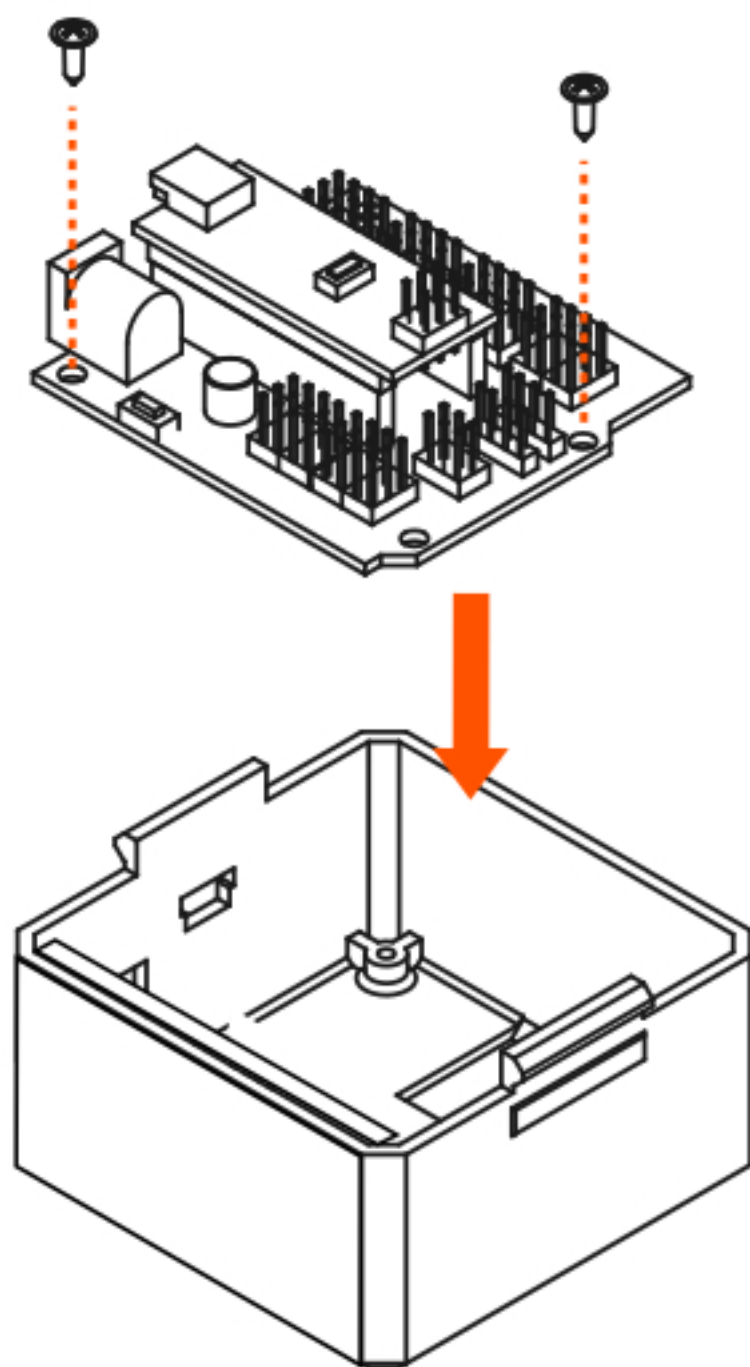


# 16



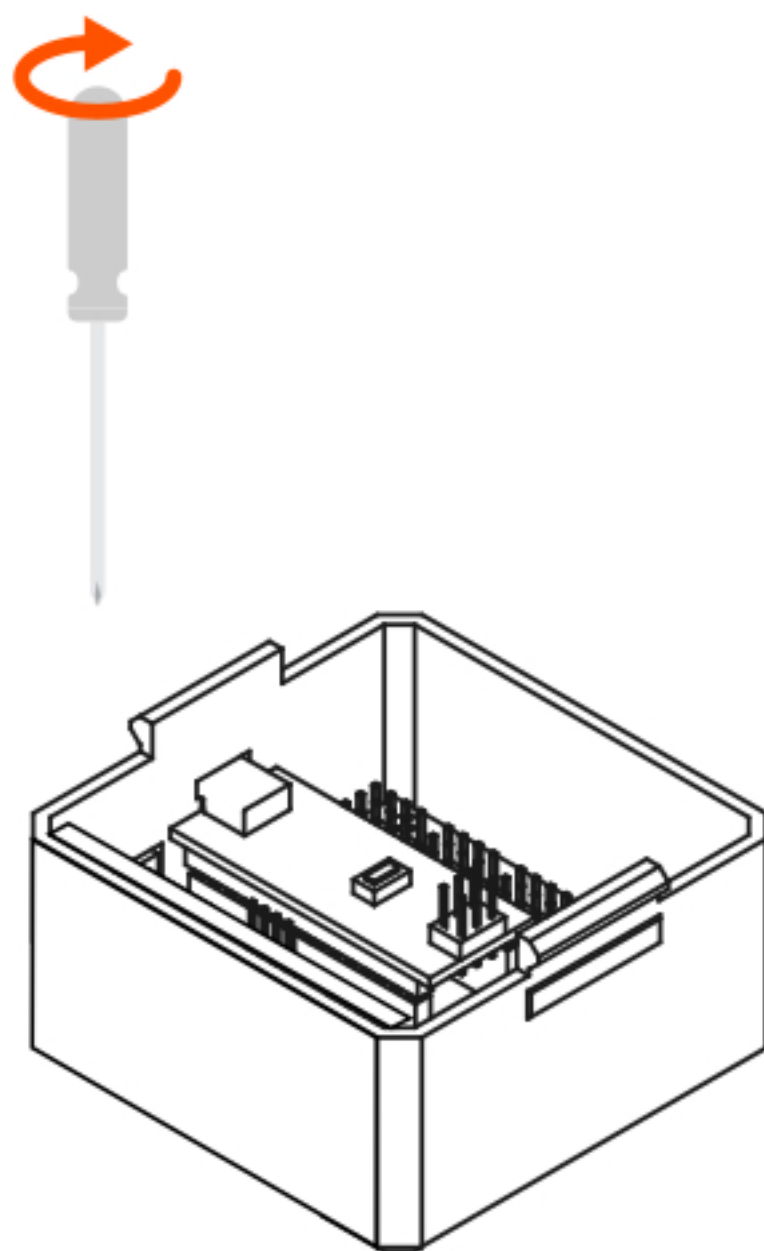


# 17



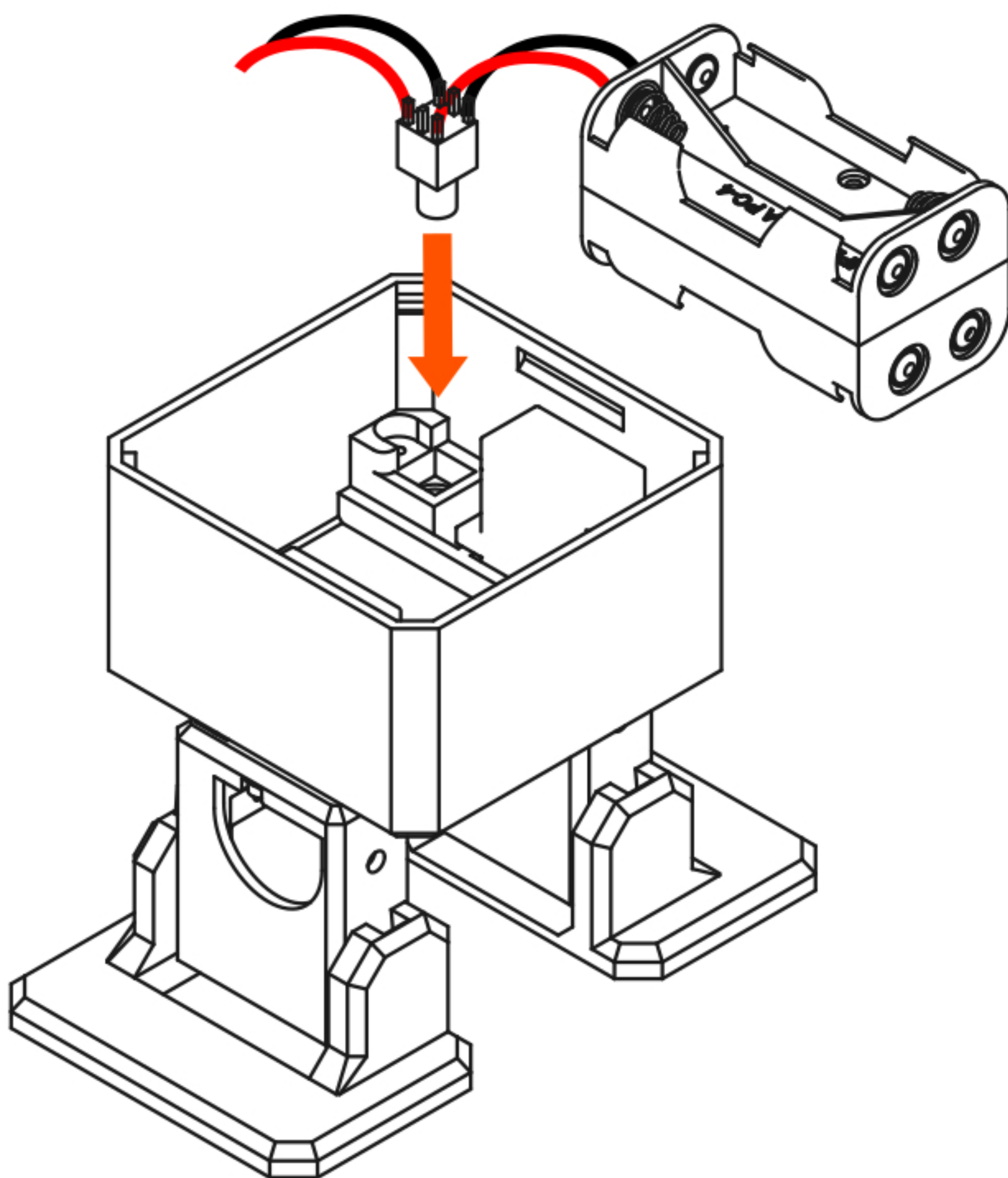


# 18



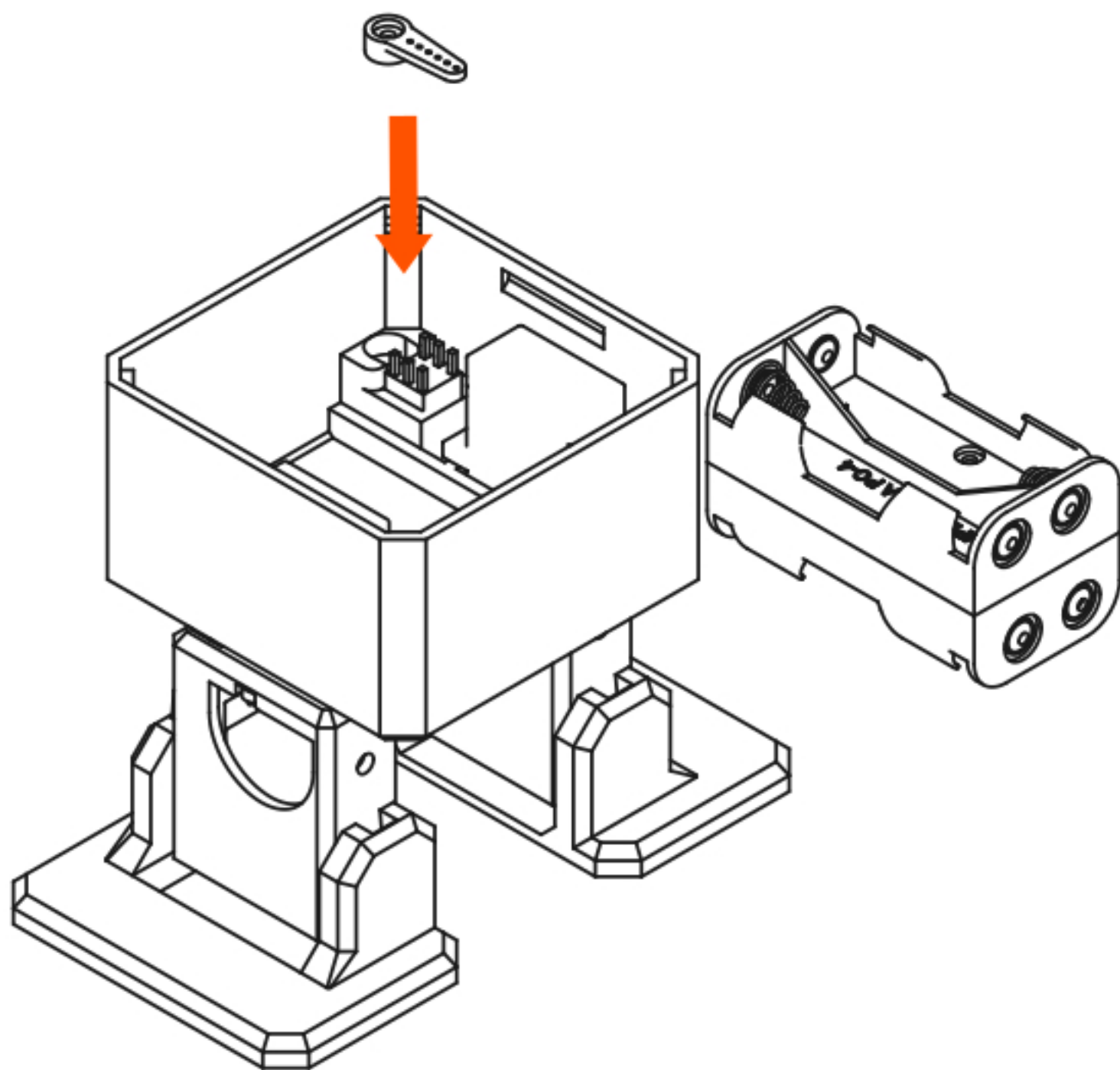


# 19



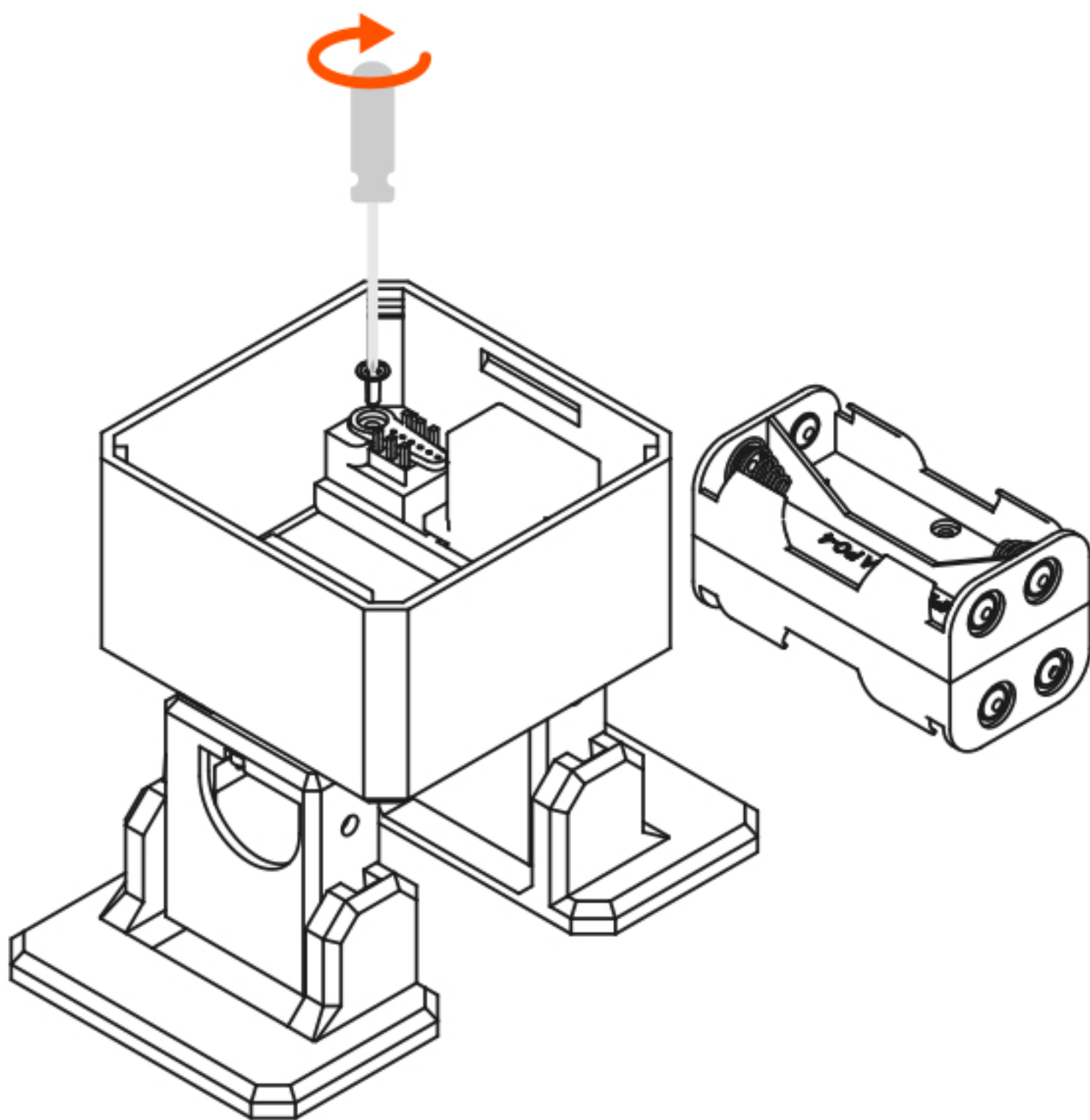


# 20





# 21





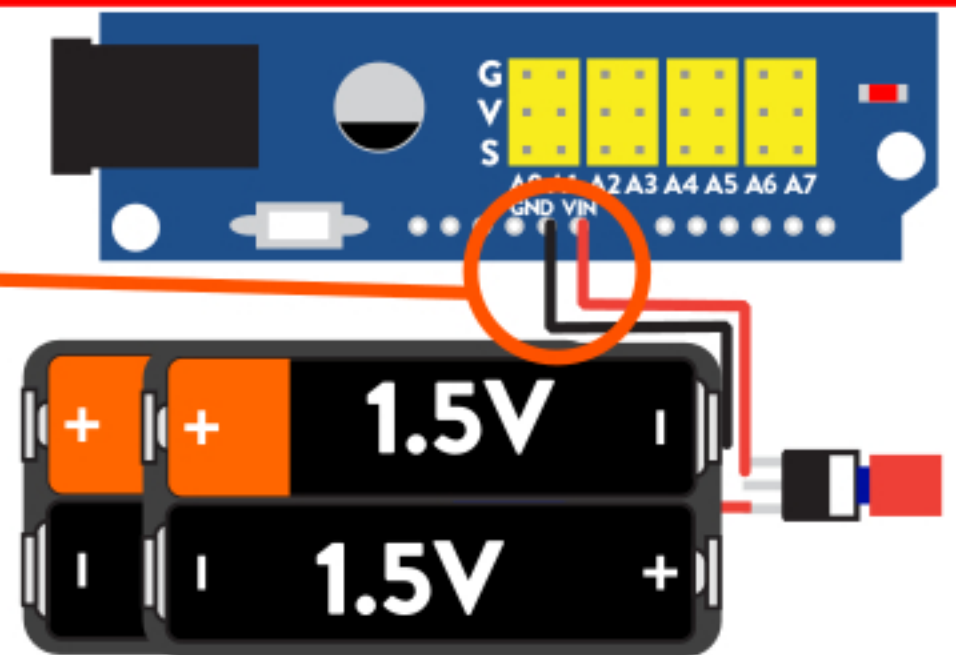
# 22

## Alkaline batteries option



**AA**

**1.5V x4 = 6V**

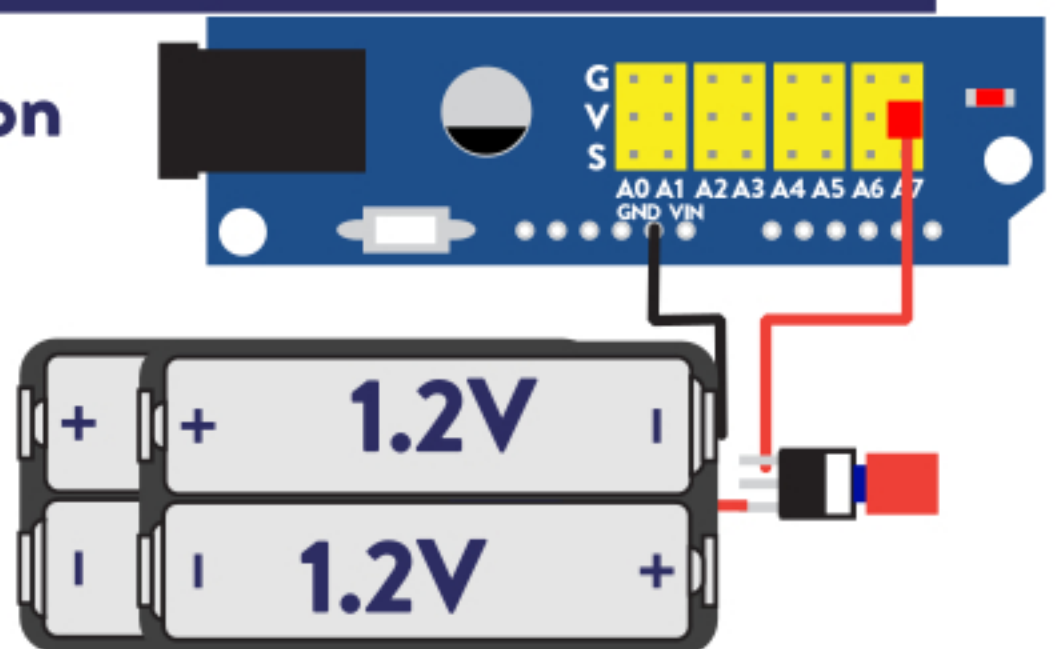


## Ni-Mh rechargeable option



**AA**

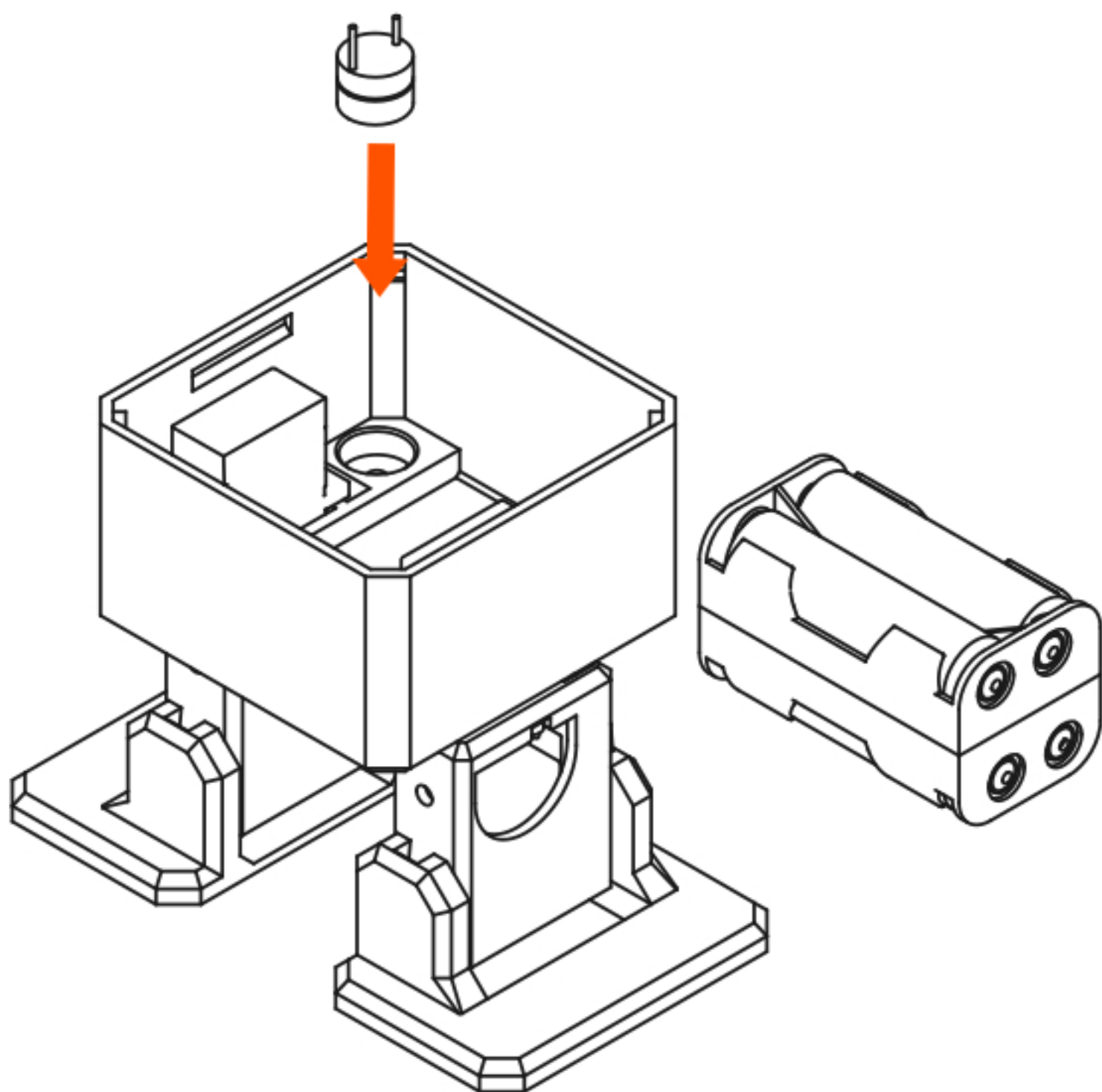
**1.2V x4 = 4.8V**





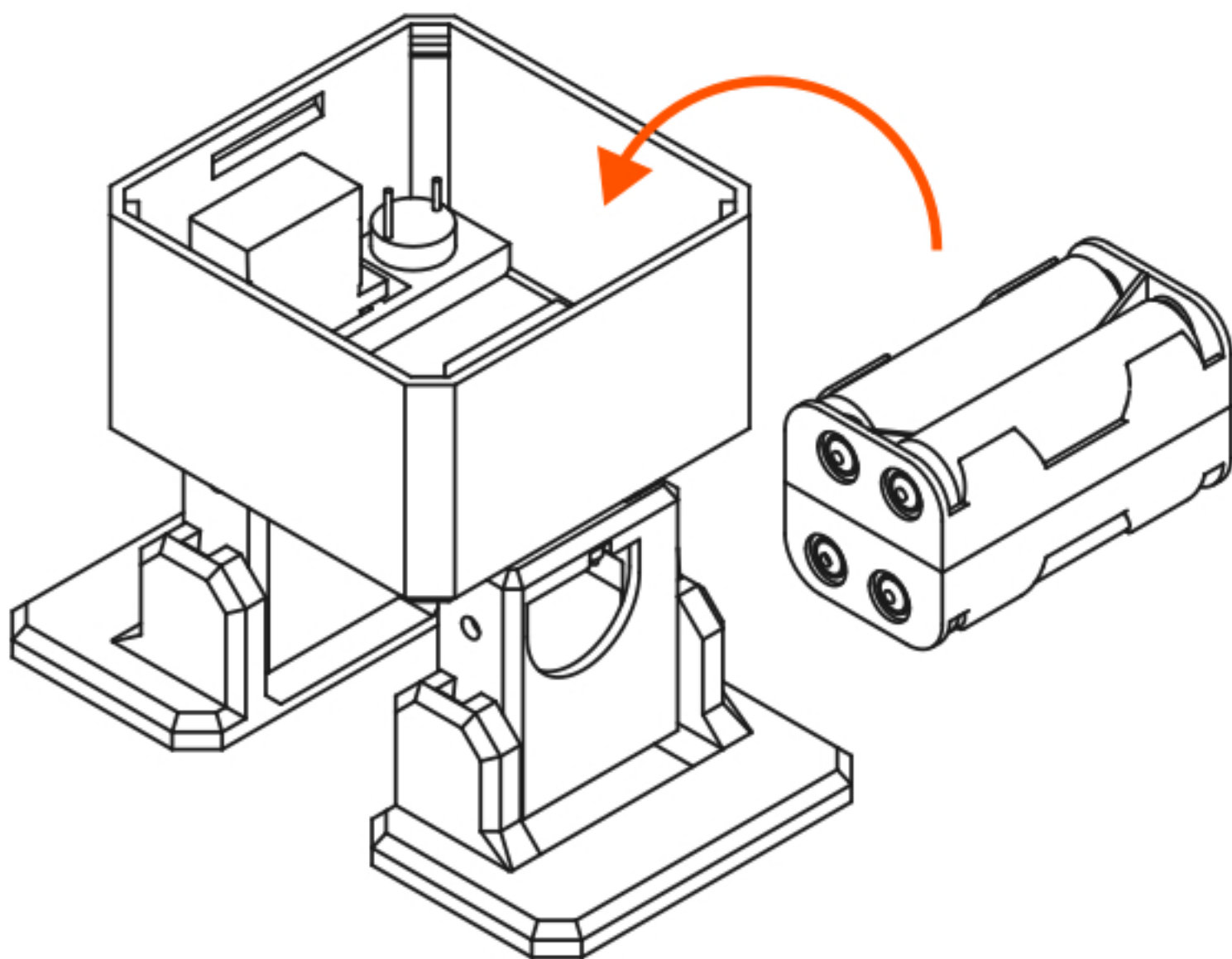


# 23



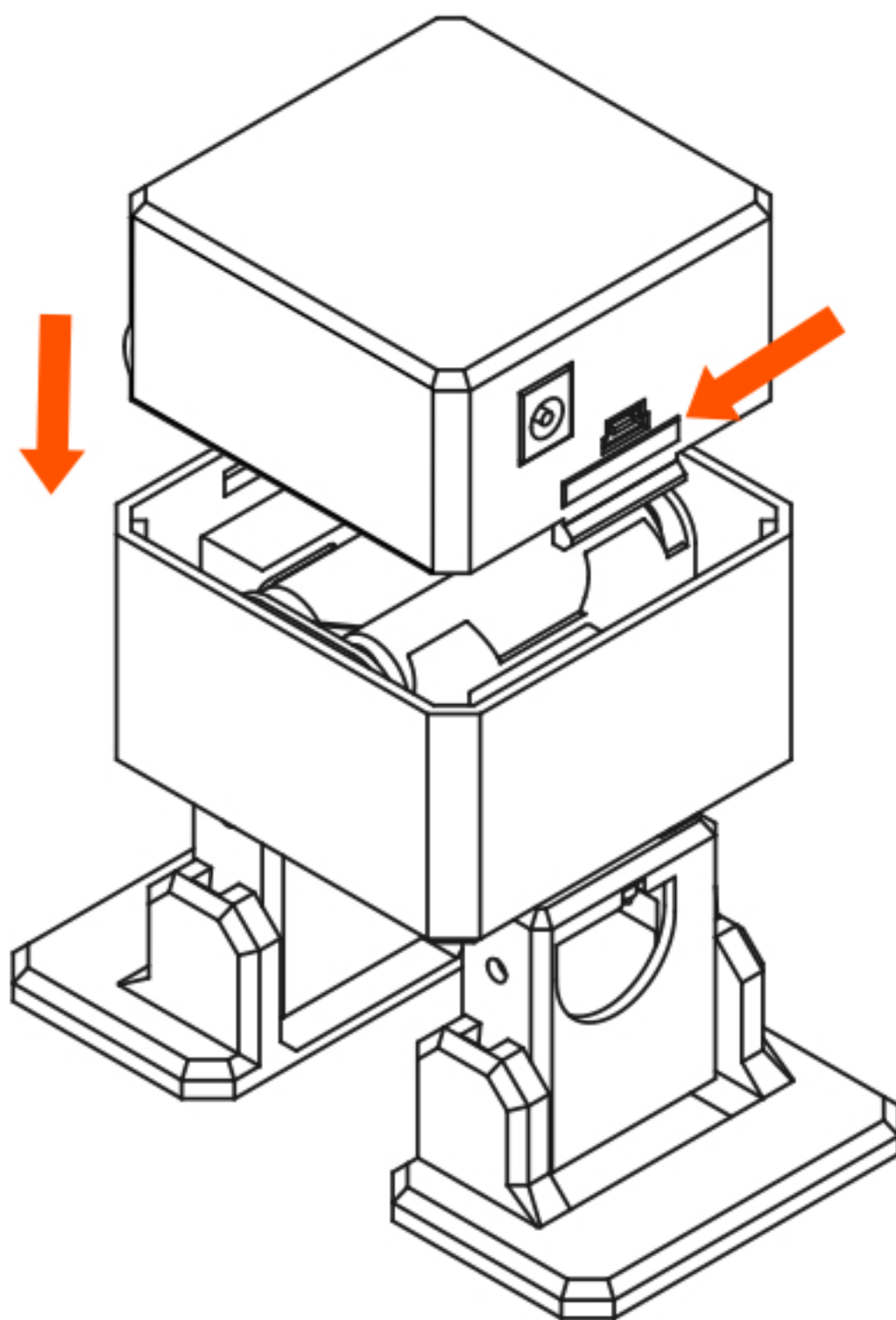


# 24





# 25





# 26



[ottodiy.com/#join-us](https://ottodiy.com/#join-us)

