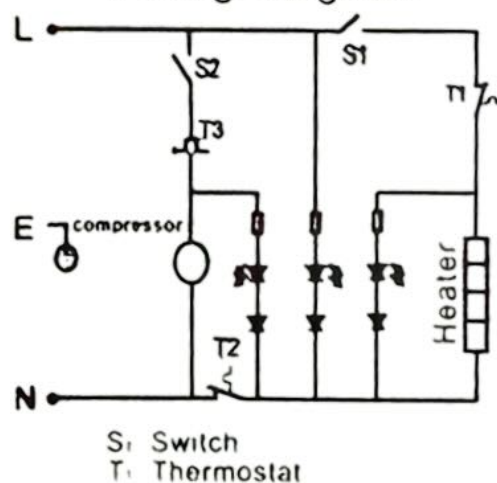


Panasonic

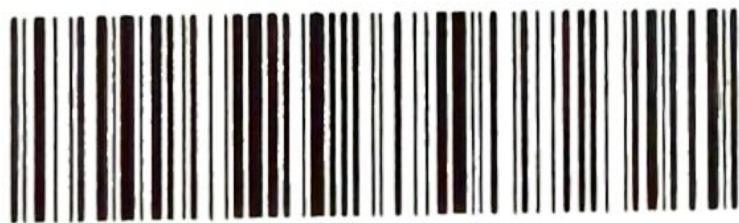
Water Dispenser

Model No.	: SDM-WD3238TG
Rated Voltage	: 220 - 240 V ~
Rated Frequency	: 50/60 Hz
Climate Classification	: T
Cooling Current	: 1.0 A
Rated Power	: 520 W
Rated Power Heating	: 420 W
Refrigerant Amount	: R134a : 28 g
Hot water	: 4L/h ($\geq 85^{\circ}\text{C}$)
Cold water	: 2L/h ($\leq 10^{\circ}\text{C}$)
Serial no.	: D589142161200163

Wiring Diagram



Made in China



340D589140116072100167