

(Square Drive) Hydraulic Torque Wrenches

Series:	ITS
Type:	Double Acting



1

Fitted with bronze bushings to ensure that the ratchet never seizes in the side plates

2

360° multi position and click-on reaction arm provides better handling

3

Unibody design with an accuracy of +/- 3%

4

Push button reversal of square drive for quick tightening or loosening

5

Aluminium titanium alloy material construction

6

360° x 180° hose swivel fits confined areas and eliminates hose kinking

7

Low nose radius, high repeatability and corrosion resistant finish



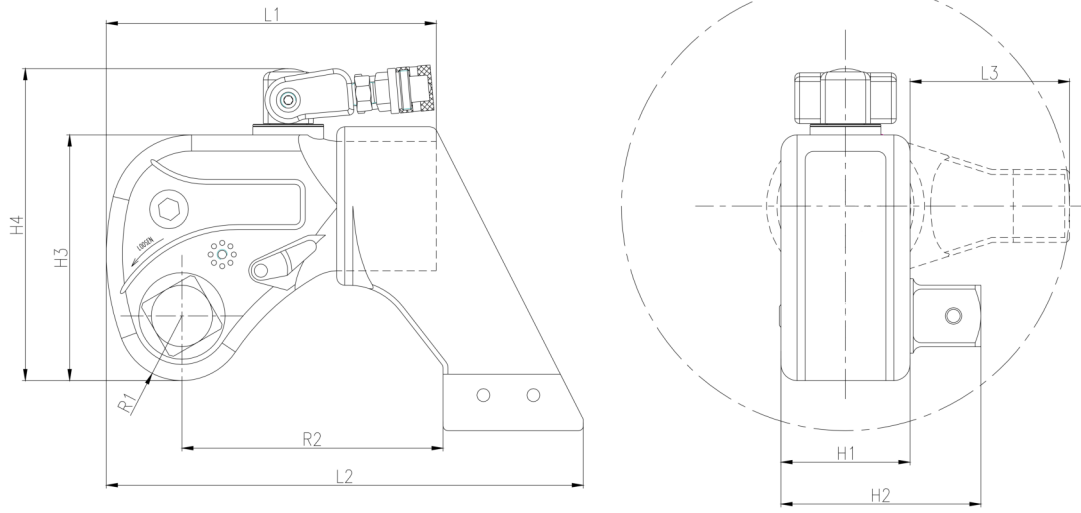
Female and male couplers with dust caps included on all models



Customised ITS torque wrenches can be made against order



The maximum operating pressure of all the Square Drive Hydraulic Torque Wrenches is 700 bar / 10,000 psi



Aa Model	Torque Range	Square Drive	L1	L2	L3	H1	H2	H3	H4	R1	R2	Weight
ITS1	185 Nm - 1,852 Nm	3/4"	138 mm	194 mm	63 mm	50 mm	73 mm	96 mm	140 mm	26 mm	107 mm	2.7 kg
ITS2	302 Nm - 3,017 Nm	1"	149 mm	213 mm	70 mm	60 mm	87 mm	111 mm	157 mm	29 mm	112 mm	3.6 kg
ITS3	436 Nm - 4,364 Nm	1"	168 mm	244 mm	79 mm	70 mm	99 mm	125 mm	165 mm	34 mm	132 mm	4.8 kg
ITS5	779 Nm - 7,789 Nm	1 1/2"	207 mm	296 mm	99 mm	80 mm	124 mm	152 mm	193 mm	40 mm	162 mm	8.8 kg
ITS8	1,072 Nm - 10,715 Nm	1 1/2"	226 mm	326 mm	110 mm	90 mm	133 mm	170 mm	211 mm	46 mm	178 mm	12 kg
ITS10	1,553 Nm - 15,528 Nm	1 1/2"	250 mm	366 mm	120 mm	100 mm	146 mm	186 mm	227 mm	50 mm	199 mm	14 kg
ITS15	2,050 Nm - 20,501 Nm	2"	281 mm	402 mm	132 mm	112 mm	165 mm	208 mm	249 mm	56 mm	218 mm	19 kg
ITS20	2,617 Nm - 26,171 Nm	2 1/2"	304 mm	442 mm	146 mm	120 mm	183 mm	226 mm	267 mm	60 mm	240 mm	25 kg
ITS25	3,493 Nm - 34,928 Nm	2 1/2"	331 mm	483 mm	158 mm	138 mm	202 mm	250 mm	291 mm	66 mm	260 mm	38 kg
ITS35	4,963 Nm - 49,627 Nm	2 1/2"	390 mm	558 mm	177 mm	150 mm	219 mm	282 mm	323 mm	77 mm	298 mm	44 kg
ITS45	5,912 Nm - 59,123 Nm	2 1/2"	412 mm	570 mm	188 mm	163 mm	229 mm	288 mm	332 mm	80 mm	303 mm	63 kg
ITS50	7,032 Nm - 70,315 Nm	3"	418 mm	596 mm	195 mm	166 mm	236 mm	300 mm	366 mm	82 mm	325 mm	89 kg
ITS65	8,451 Nm - 84,512 Nm	3"	471 mm	660 mm	204 mm	182 mm	263 mm	348 mm	407 mm	95 mm	345 mm	66 kg
ITS75	10,512 Nm - 1,05,120 Nm	3 1/2"	507 mm	729 mm	240 mm	190 mm	291 mm	392 mm	447 mm	108 mm	380 mm	81 kg
ITS95	14,085 Nm - 1,40,848 Nm	4"	520 mm	758 mm	246 mm	210 mm	307 mm	415 mm	473 mm	115 mm	400 mm	220 kg

+ Frequent Add-On

(Socket)



+ Frequent Add-On

(Square Drive Adaptor)

