

Steering Wheel Controller | Honda Accord | 10

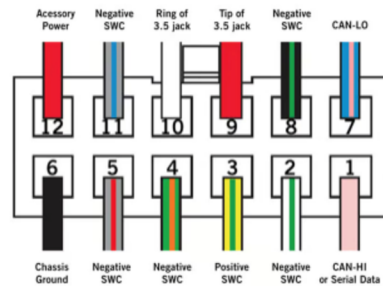
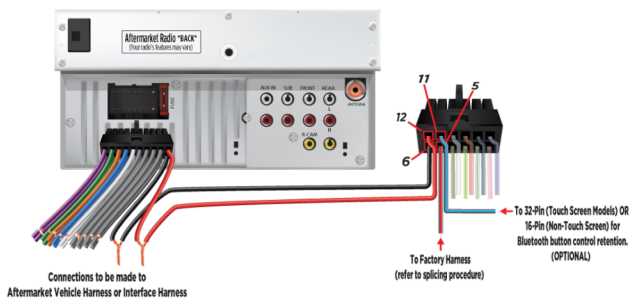
→ Vehicle Installation Instructions

The instructions below will guide you through installation of the Steering Wheel Controller in your vehicle.

Connections

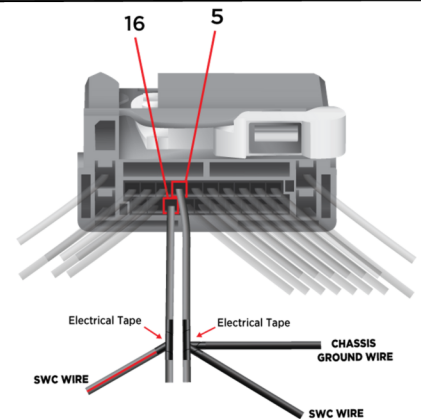
Aftermarket Radio Harness

1. Connect **Pin 6 (BLACK)** wire of the Steering Wheel Controller harness to the **BLACK** ground wire of the aftermarket radio.
2. **(IMPORTANT)** Connect **Pin 5** of the vehicle's radio harness to **Pin 6** of the Steering Wheel Controller harness and the **BLACK** ground wire of the aftermarket radio (shown below).
3. Connect **Pin 12** of the Steering Wheel Controller to the **RED** accessory wire of the aftermarket radio.



Vehicle Connection(s) to Factory Harness

1. Connect **Pin 5** of the Steering Wheel Controller (**GRAY/RED** wire) to the wire in **Pin 16** of the vehicle's radio harness.
2. **(Optional)** If the vehicle has Bluetooth buttons and you wish to retain them:
 - a. **Either** connect the (**GRAY/BLUE** wire) from the Steering Wheel Controller to:
 - i. Touch Screen Models: **Pin 15 (Light Blue)** of the Hands Free Link module's **32-Pin** connector located below the radio.
 - ii. Non-touch screen models: **Pin 9 (Light Blue)** of the **16-Pin** connector located behind the radio.

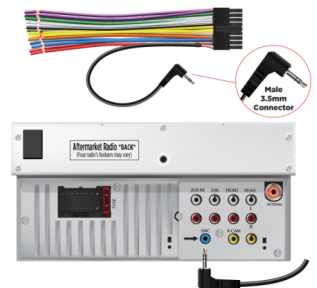


Wire color depicted does not necessarily represent the actual wire color in the vehicle.

SWC 3.5 Jack Connections

For radios with a 3.5mm port located on the rear, plug the male 3.5mm jack directly into the back of the radio.

1. Connect the **3.5mm Jack** to the SWC (Steering Wheel Control) input on the back of the radio.



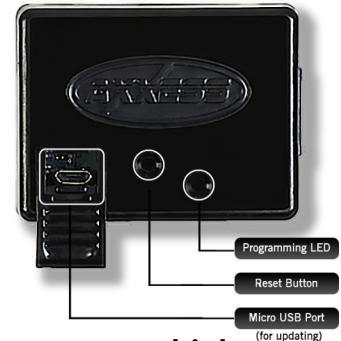
Kenwood/JVC Radios with Single SWC wire

1. Connecting the **BLUE/YELLOW** wire labeled **Steering Wheel Remote**
2. **Input** to the **BROWN** wire of the female 3.5mm jack.
3. Plug in the male 3.5mm jack into the female 3.5mm jack.



Programming the Steering Wheel Controller

In order to effectively program the Steering Wheel Controller, the aftermarket radio needs to be (or remain) completely wired. The Steering Wheel Controller harness should be wired and the (Steering Wheel Control) SWC 3.5mm Jack or SWC wiring should be connected.



Follow the steps below to programming the Steering Wheel Controller to your vehicle:

1. Open the driver's door. **Keep it open during the programming process.**



2. Turn the vehicle's ignition **On**.



3. Plug in the **Steering Wheel Controller**.



4. The LED on the SWC begins rapid flashing **Green** and **Red**.



5. **(Optional)** If the LED does not turn on, refer to **Connections** above and ensure all steps were performed precisely.

6. The Steering Wheel Controller will enter auto-detect mode. **No action is required** until the LED begins flashing **Green** and **Red**.

Auto Detect



7. **(Optional)** If the **Green** and **Red** flashes are missed, reset the **Steering Wheel Controller** and restart the programming process from the beginning.

8. The Steering Wheel Controller programs to SWC. Seven (7) **Green** LED flashes indicate vehicle type. After detection, LED pauses 1-2 seconds.



9. The LED flashes **Red** while the interface programs to the aftermarket radio. Feedback varies by model (**AXSWC** vs. **AXSWC-2**); confirm your model and follow the correct section below.

- **AXSWC**: A series of up to twenty-four (24) **Red** LED flashes identifies the detected Radio Type.
- **AXSWC-2**: A series of **Red/Green** LED flashes identifies the detected Radio Type.



10. Upon successfully programming, the LED turns solid **Red**.



11. Test all functions of the Steering Wheel Controller installation for proper operation.

